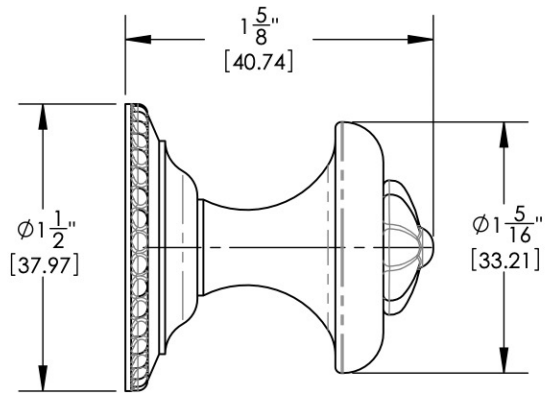
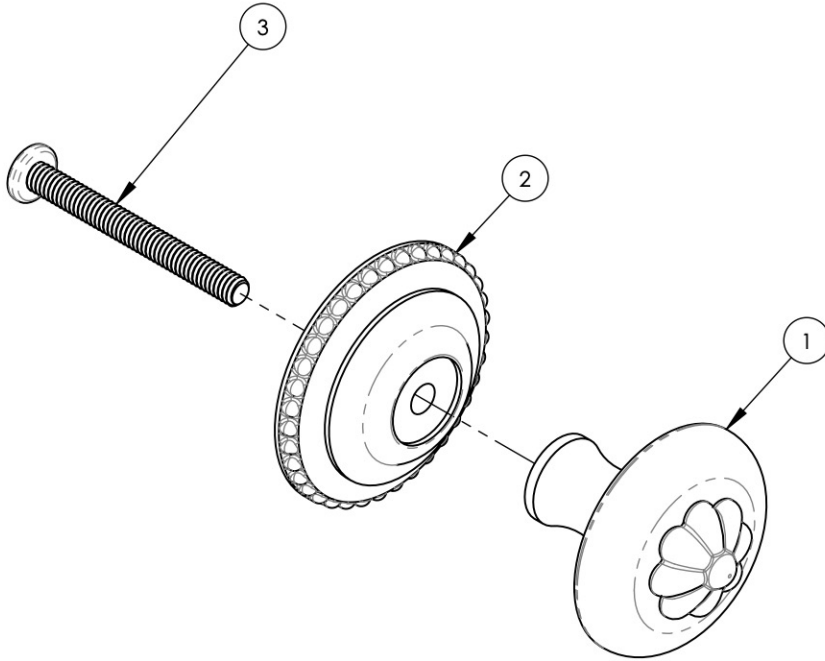


ITEM NO.	PART NUMBER	DESCRIPTION	QTY.
1	2-161/00	SUB ASSY. CABINET KNOB, MARVELLE	1
2	10452/00	ROSETTE, CABINET KNOB, MARVELLE	1
3	92094	SCREW, PAN HD 8-32 X 1.5"L	1



ALL	B	UPDATE TEMPLATE	7/29/2020	AMM
ZONE	REV.	DESCRIPTION	DATE	APPROVED
REVISIONS				

1261 LOGAN AVENUE  
COSTA MESA, CALIFORNIA 92626  
PHONE: 714.361.4800  
FAX: 714.617.3120

**PHYLIRICH**<sup>®</sup>  
Defining Luxury Since 1959

**PROPRIETARY AND CONFIDENTIAL**  
THE INFORMATION CONTAINED IN THIS DRAWING IS THE SOLE PROPERTY OF PHYLIRICH. ANY REPRODUCTION IN PART OR AS A WHOLE WITHOUT THE WRITTEN PERMISSION OF PHYLIRICH IS PROHIBITED.

-	-	INTERPRET GEOMETRIC DIMENSIONING & TOLERANCING IN ACCORDANCE WITH ASME Y14.5-2009 & ASME Y14.41-2003 STANDARDS. UNLESS OTHERWISE SPECIFIED, DIMENSIONS ARE IN INCHES. TOLERANCES ARE:		
NEXT ASSY	USED ON	<b>FRACTIONS</b> ±1/16"	<b>DECIMALS</b> X.X: ±.1 X.XX: ±.01 X.XXX: ±.005	<b>ANGULAR</b> ±2°
APPLICATION		NAME	DATE	
MATERIAL		DRAWN	LLO	10/20/2015
FINISH		CHECKED	GRE	
<b>DO NOT SCALE DRAWING</b>				

CABINET KNOB, MARVELLE

SIZE	ASM/PRT NO.	REV
<b>A</b>	162-90/00	<b>B</b>
SCALE: 1:1	WEIGHT: lbs.	SHEET 1 OF 1