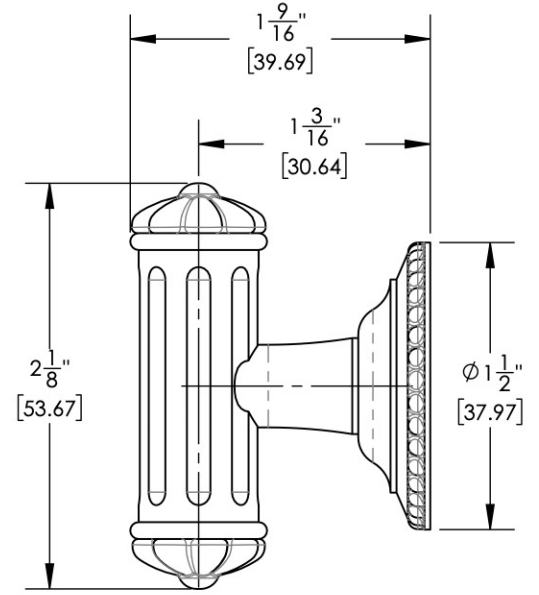
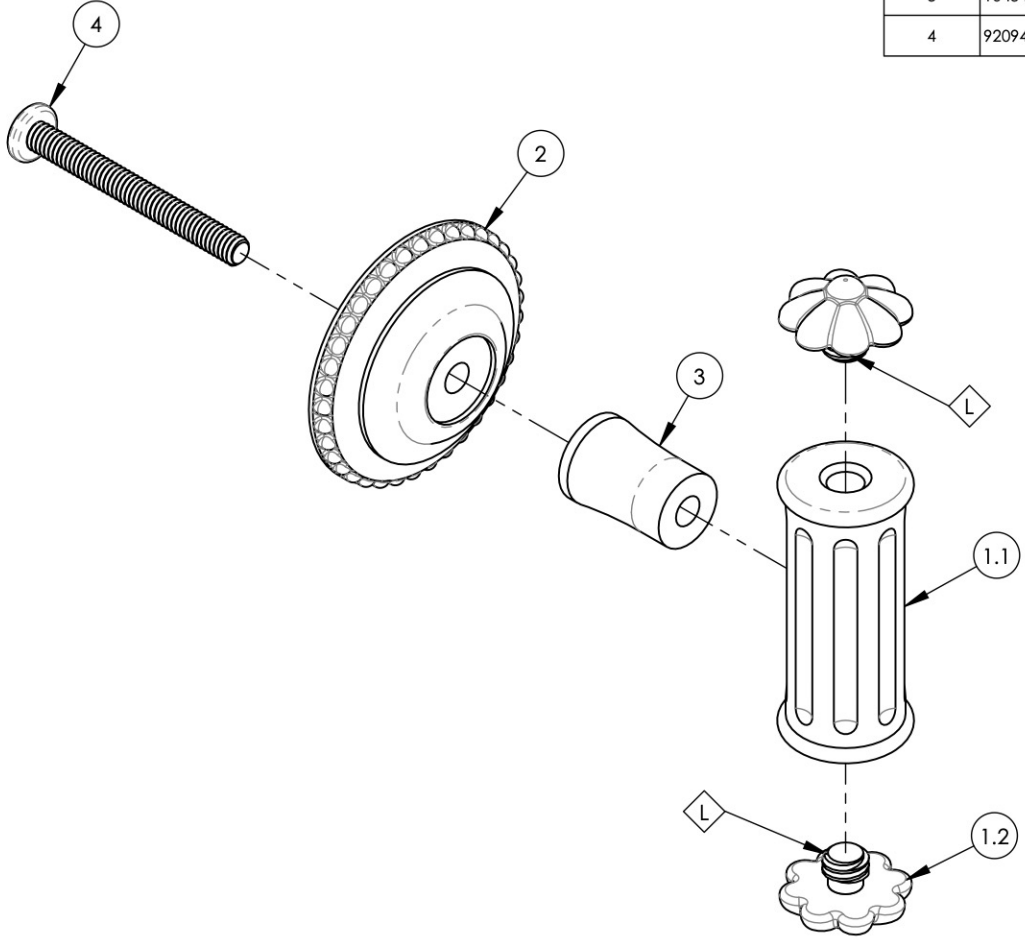


NOTE(S):
 1. APPLY NSF COMPLIANT LOCTITE TO THREADED AREA. L

ITEM NO.	PART NUMBER	DESCRIPTION	QTY.
1	2-162/00	SUB ASSY. CABINET KNOB, MARVELLE	1
1.1	10453/00	POST, CABINET KNOB, MARVELLE	1
1.2	10548/00	FINIAL, MARVELLE SERIES	2
2	10452/00	ROSETTE, CABINET KNOB, MARVELLE	1
3	10454/00	POST TRANSITION, CABINET KNOB, MARVELLE	1
4	92094	SCREW, PAN HD 8-32 X 1.5"L	1



ALL	B	UPDATE TEMPLATE	7/29/2020	AMM
ZONE	REV.	DESCRIPTION	DATE	APPROVED
REVISIONS				

1261 LOGAN AVENUE
 COSTA MESA, CALIFORNIA 92626
 PHONE: 714.361.4800
 FAX: 714.617.3120

PHYLIRICH[®]
 Defining Luxury Since 1959

PROPRIETARY AND CONFIDENTIAL
 THE INFORMATION CONTAINED IN THIS DRAWING IS THE SOLE PROPERTY OF PHYLIRICH. ANY REPRODUCTION IN PART OR AS A WHOLE WITHOUT THE WRITTEN PERMISSION OF PHYLIRICH IS PROHIBITED.

-	-	INTERPRET GEOMETRIC DIMENSIONING & TOLERANCING IN ACCORDANCE WITH ASME Y14.5-2009 & ASME Y14.41-2003 STANDARDS, UNLESS OTHERWISE SPECIFIED. DIMENSIONS ARE IN INCHES. TOLERANCES ARE:		
NEXT ASSY	USED ON	FRACTIONS ±1/16"	DECIMALS X.X: ±.1 X.XX: ±.01 X.XXX: ±.005	ANGULAR ±2°
APPLICATION		NAME	DATE	
MATERIAL		DRAWN	LLO	6/1/2015
FINISH		CHECKED	GRE	
DO NOT SCALE DRAWING				

CABINET KNOB, MARVELLE

SIZE	ASM/PRT NO.	REV
A	162-91/00	B
SCALE: 1:1	WEIGHT: lbs.	SHEET 1 OF 1