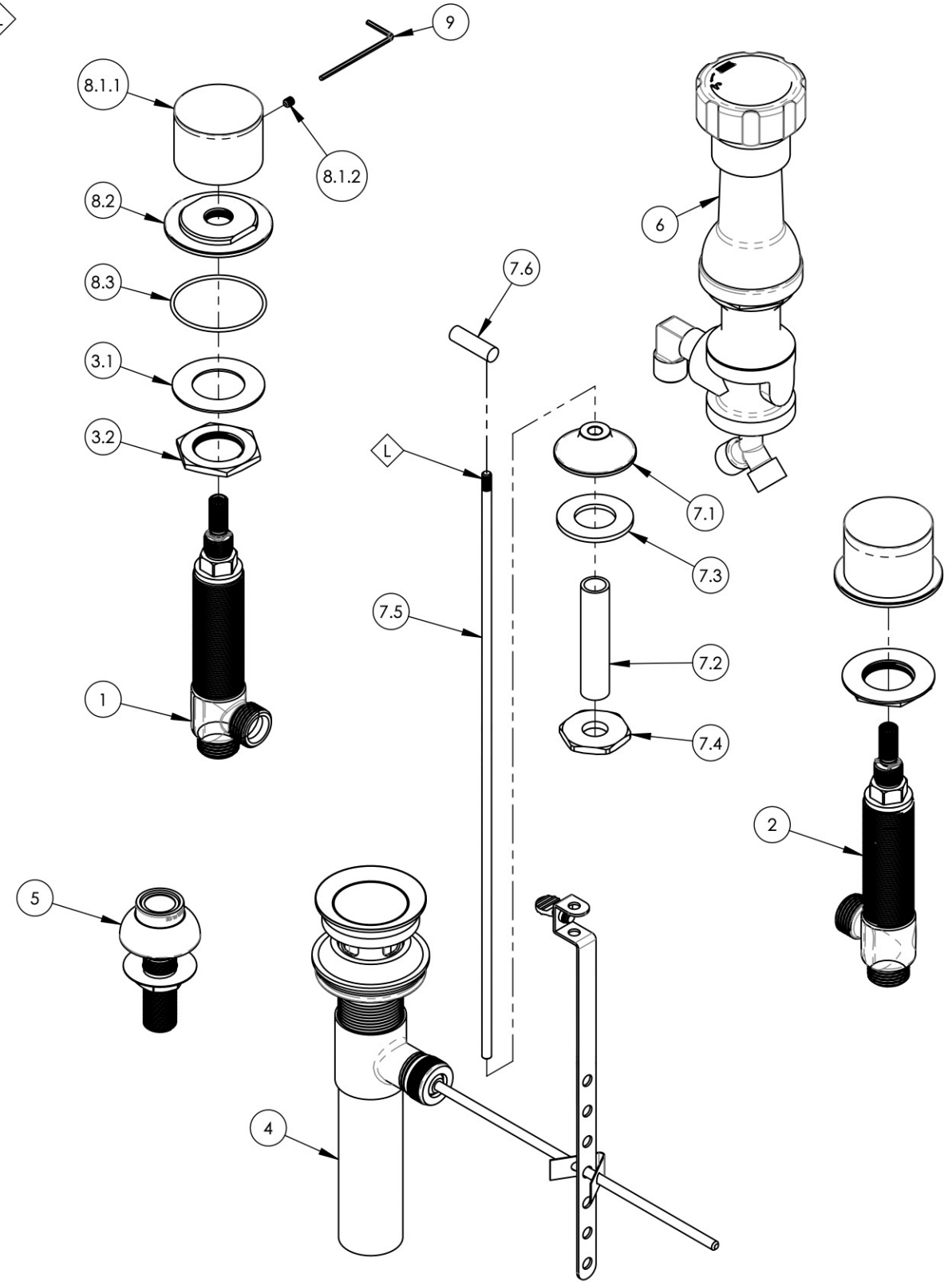


NOTE(S):
 1. PART NUMBER, "/00" DENOTES PART SHALL HAVE FINISH.
 2. APPLY NSF COMPLIANT LOCTITE TO THREADED AREA.



| ITEM NO. | PART NUMBER | DESCRIPTION | QTY. |
|----------|-------------|---|------|
| 1 | 1-149 | WIDESPREAD VALVE LAV 16PT, HOT, ONLY | 1 |
| 2 | 1-150 | WIDESPREAD VALVE LAV 16PT, COLD, ONLY | 1 |
| 3 | 2-203 | MOUNTING NUT KIT, WIDESPREAD LAV | 2 |
| 3.1 | 92252 | WASHER, 1-1/32" ID 1-13/16" OD | 1 |
| 3.2 | 92251 | HEX NUT, 1"-20 THREAD | 1 |
| 4 | 3-046/00 | POP-UP DRAIN ASSEMBLY (2-101, 2-102, & 2-246) | 1 |
| 5 | 3-085/00 | ASSY, BIDET SPRAYER | 1 |
| 6 | 3-160/00 | BIDET DIVERTER, COMPLETE | 1 |
| 7 | 3-192/00 | POP-UP ROD BIDET, BASIC | 1 |
| 7.1 | P09007/00 | K4160 POP UP GUIDE | 1 |
| 7.2 | P32010 | 9/16-20 x 56 NIPPLE FOR COMPRESSION STEM | 1 |
| 7.3 | P35026 | 3/4" SAE FLAT WASHER | 1 |
| 7.4 | P09006 | SPECIAL HEX F/BIDET SPRAYER | 1 |
| 7.5 | 10719/00 | POP-UP ROD, 10-24, 14" LONG | 1 |
| 7.6 | P04019/00 | POP-UP, BASIC, W/ 10-24 THREAD | 1 |
| 8 | 3-386/00 | SUB ASSY. SMOOTH HANDLE, BASIC II | 2 |
| 8.1 | 2-248/00 | HANDLE SMOOTH, BASIC II | 1 |
| 8.1.1 | 10433/00 | BASE HANDLE, CONTEMP. BASIC II | 1 |
| 8.1.2 | 92008 | SET SCREW, CUP POINT 8-32, 3/16" L. | 1 |
| 8.2 | 11164/00 | ESCUTCHEON BASE, CONTEMP. BASIC II | 1 |
| 8.3 | 90031 | O-RING, 1-3/4"ID X 1/16"THK, AS-568-031 | 1 |
| 9 | P39001 | HEX KEY 5/64, FOR 8-32 SET SCREW | 1 |

| ZONE | REV. | DESCRIPTION | DATE | APPROVED | |
|---|------|--|---|----------|--|
| REVISIONS | | | | | |
| 1261 LOGAN AVENUE COSTA MESA, CALIFORNIA 92626 PHONE: 714.361.4800 FAX: 714.617.3120 | | PHYLIRICH Defining Luxury Since 1959 | PROPRIETARY AND CONFIDENTIAL THE INFORMATION CONTAINED IN THIS DRAWING IS THE SOLE PROPERTY OF PHYLIRICH. ANY REPRODUCTION IN PART OR AS A WHOLE WITHOUT THE WRITTEN PERMISSION OF PHYLIRICH IS PROHIBITED. | | |

| | | | |
|---|---|-------------|-----|
| INTERPRET GEOMETRIC DIMENSIONING & TOLERANCING IN ACCORDANCE WITH ASME Y14.5-2009 & ASME Y14.41-2003 STANDARDS. UNLESS OTHERWISE SPECIFIED, DIMENSIONS ARE IN INCHES. TOLERANCES ARE: | | | |
| FRACTIONS ±1/16" | DECIMALS X.X: ±.1 X.XX: ±.01 X.XXX: ±.005 | ANGULAR ±2° | |
| NEXT ASSY | USED ON | APPLICATION | |
| MATERIAL | FINISH | DRAWN | AMM |
| | | CHECKED | |
| DO NOT SCALE DRAWING | | | |

| | | | |
|--|--------------|--------------|--|
| FOUR HOLE BIDET SET, SMOOTH HANDLES, BASIC II | | | |
| SIZE | ASM/PRT NO. | REV | |
| B | 230-61/00 | | |
| SCALE: 1:3 | WEIGHT: lbs. | SHEET 1 OF 2 | |