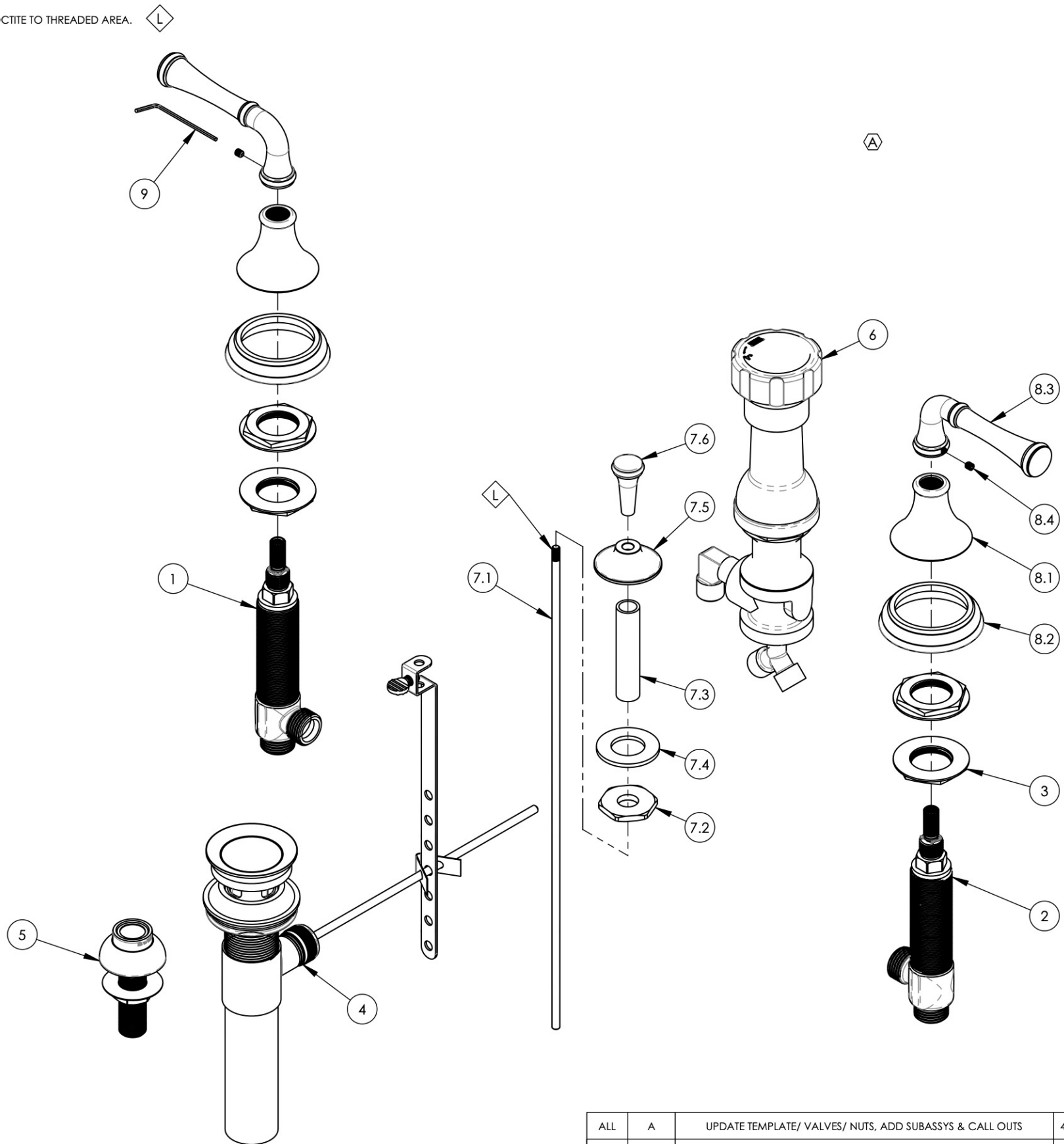


NOTE(S):

1. APPLY NSF COMPLIANT LOCTITE TO THREADED AREA. L



ITEM NO.	PART NUMBER	DESCRIPTION	QTY.
1	1-149	WIDESPREAD VALVE LAV 16PT, HOT, ONLY	1
2	1-150	WIDESPREAD VALVE LAV 16PT, COLD, ONLY	1
3	2-203	MOUNTING NUT KIT, WIDESPREAD LAV	4
4	3-046/00	POP-UP DRAIN ASSEMBLY (2-101, 2-102, & 2-246)	1
5	3-085/00	ASSY, BIDET SPRAYER	1
6	3-160/00	BIDET DIVERTER, COMPLETE	1
7	3-474/00	ASSY. BIDET POP-UP ROD, 3 RING SERIES	1
7.1	10719/00	POP-UP ROD, 10-24, 14" LONG	1
7.2	P09006	SPECIAL HEX F/BIDET SPRAYER	1
7.3	P32010	9/16-20 x 56 NIPPLE FOR COMPRESSION STEM	1
7.4	P35026	3/4" SAE FLAT WASHER	1
7.5	P09007/00	K4160 POP UP GUIDE	1
7.6	P04022	POP-UP KNOB, THREE RADIUS	1
8	3-475/00	ASSY. LEVER HANDLE, 3 RING SERIES	2
8.1	10972/00	HUB, TRANSITIONAL 3RING	1
8.2	11188/00	ESCUTCHEON, HANDLE BASE 3RING	1
8.3	P01079/00	HANDLE, STRAIGHT LEVER 3RING 205	1
8.4	92008	SET SCREW, CUP POINT 8-32, 3/16" L.	1
9	P39001	HEX KEY 5/64, FOR 8-32 SET SCREW	1

ALL	REV.	DESCRIPTION	DATE	APPROVED
ALL	A	UPDATE TEMPLATE/ VALVES/ NUTS, ADD SUBASSYS & CALL OUTS	4/15/2020	AMM

REVISIONS

1261 LOGAN AVENUE
COSTA MESA, CALIFORNIA 92626
PHONE: 714.361.4800
FAX: 714.617.3120

PHYLIRICH®

Defining Luxury Since 1959

PROPRIETARY AND CONFIDENTIAL

THE INFORMATION CONTAINED IN THIS DRAWING IS THE SOLE PROPERTY OF PHYLIRICH. ANY REPRODUCTION IN PART OR AS A WHOLE WITHOUT THE WRITTEN PERMISSION OF PHYLIRICH IS PROHIBITED.

INTERPRET GEOMETRIC DIMENSIONING & TOLERANCING IN ACCORDANCE WITH ASME Y14.5-2009 & ASME Y14.41-2003 STANDARDS. UNLESS OTHERWISE SPECIFIED, DIMENSIONS ARE IN INCHES. TOLERANCES ARE:		
	FRACTIONS ±1/16"	DECIMALS X.X: ±.1 X.XX: ±.01 X.XXX: ±.005
	ANGULAR ±2°	
NEXT ASSY	USED ON	APPLICATION
MATERIAL	FINISH	DRAWN
		CHECKED

FOUR HOLE BIDET SET, STRAIGHT LEVER, 3RING, (205-60/00)

SIZE	ASM/PRT NO.	REV
B	D4205/00	A
SCALE: 1:3	WEIGHT: lbs.	SHEET 1 OF 2