

NOTE(S):
1. PART NUMBER, "/00" DENOTES PART SHALL HAVE FINISH.

2. APPLY NSF COMPLIANT GREASE TO ANY O-RING, SEALING JOINTS, AND/OR PIVOTAL POINTS.

3. APPLY NSF COMPLIANT LOCTITE TO THREADED AREA.

4. APPLY NSF COMPLIANT REMOVABLE (BLUE) LOCTITE TO THREADED AREA.

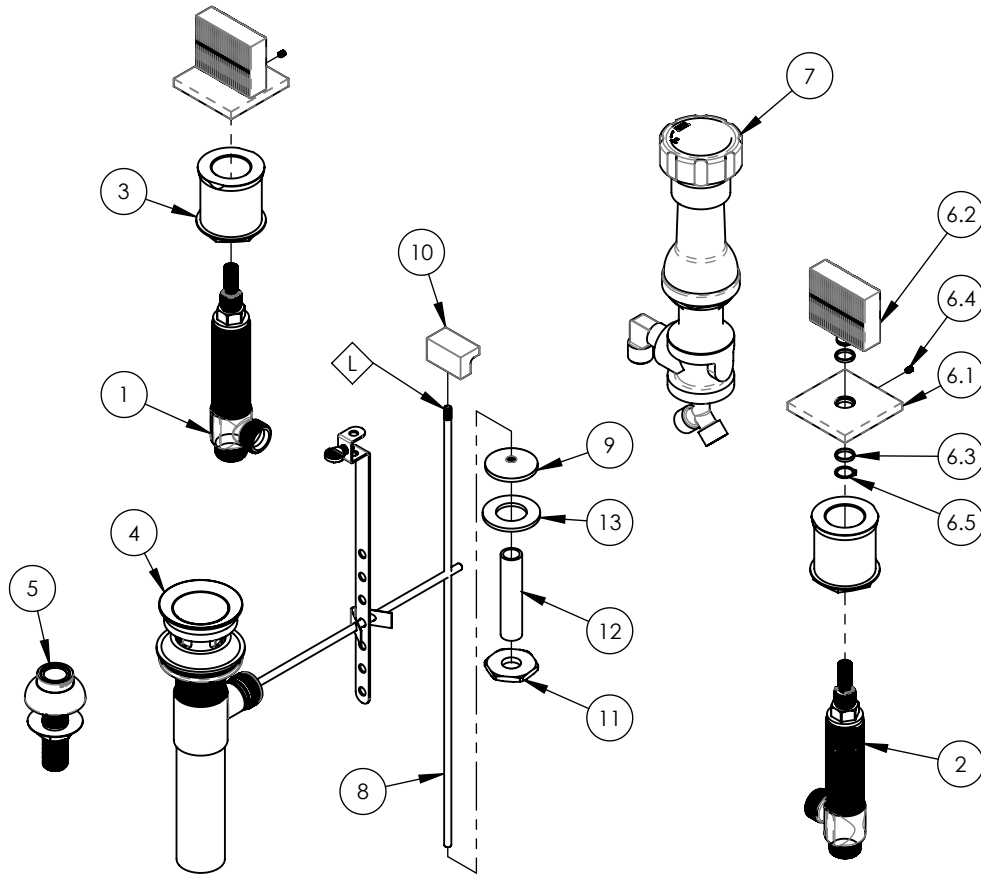
5. SILVER SOLDER JOINTS SHALL BE FULLY WETTED VIA CAPILLARY ACTION AND COMPLETELY NON-POROUS.

G

L

B

S



ITEM NO.	PART NUMBER	DESCRIPTION	QTY.
1	1-149	WIDESPREAD VALVE LAV 16PT, HOT, ONLY	1
2	1-150	WIDESPREAD VALVE LAV 16PT, COLD, ONLY	1
3	2-092	RECESSED MOUNTING KIT FOR WIDESPREAD	2
4	3-046/00	POP-UP DRAIN ASSEMBLY (2-101, 2-102, & 2-246)	1
5	3-085/00	ASSY, BIDET SPRAYER	1
6	3-108/00	ASSY, HANDLE RIBBED BLADE	2
6.1	10937/00	ESCUTCHEON, HANDLE EDGE SERIES	1
6.2	10927/00	HANDLE, BLADE EDGE SERIES	1
6.3	92176	WEAR WASHER	2
6.4	92005	SET SCREW, CUP PT 6-32 UNC THREAD 3/16"L	1
6.5	92177	RETAINING RING, 7/16" SHAFT	1
7	3-160/00	BIDET DIVERTER, COMPLETE	1
8	10719/00	POP-UP ROD, 10-24, 14" LONG	1
9	10845/00	ESCUTCHEON BASE, BIDET POP-UP	1
10	10957/00	POP-UP KNOB, EDGE SERIES	1
11	P09006	SPECIAL HEX F/BIDET SPRAYER	1
12	P32010	9/16-20 x 56 NIPPLE FOR COMPRESSION STEM	1
13	P35026	3/4" SAE FLAT WASHER	1

ZONE	REV.	DESCRIPTION	DATE	APPROVED
------	------	-------------	------	----------

REVISIONS

1261 LOGAN AVENUE
COSTA MESA, CALIFORNIA 92626
PHONE: 714.361.4800
FAX: 714.617.3120

PHYLIRICH[®]
Defining Luxury Since 1959

PROPRIETARY AND CONFIDENTIAL
THE INFORMATION CONTAINED IN THIS DRAWING IS THE SOLE PROPERTY OF PHYLIRICH. ANY REPRODUCTION IN PART OR AS A WHOLE WITHOUT THE WRITTEN PERMISSION OF PHYLIRICH IS PROHIBITED.
DO NOT SCALE DRAWING

BIDET SET, FOUR HOLE, BLADE HANDLE, STRIA

SIZE A	ASM/PRT NO. 291-60/00	REV
SCALE: 1:5	WEIGHT: lbs.	SHEET 1 OF 2

