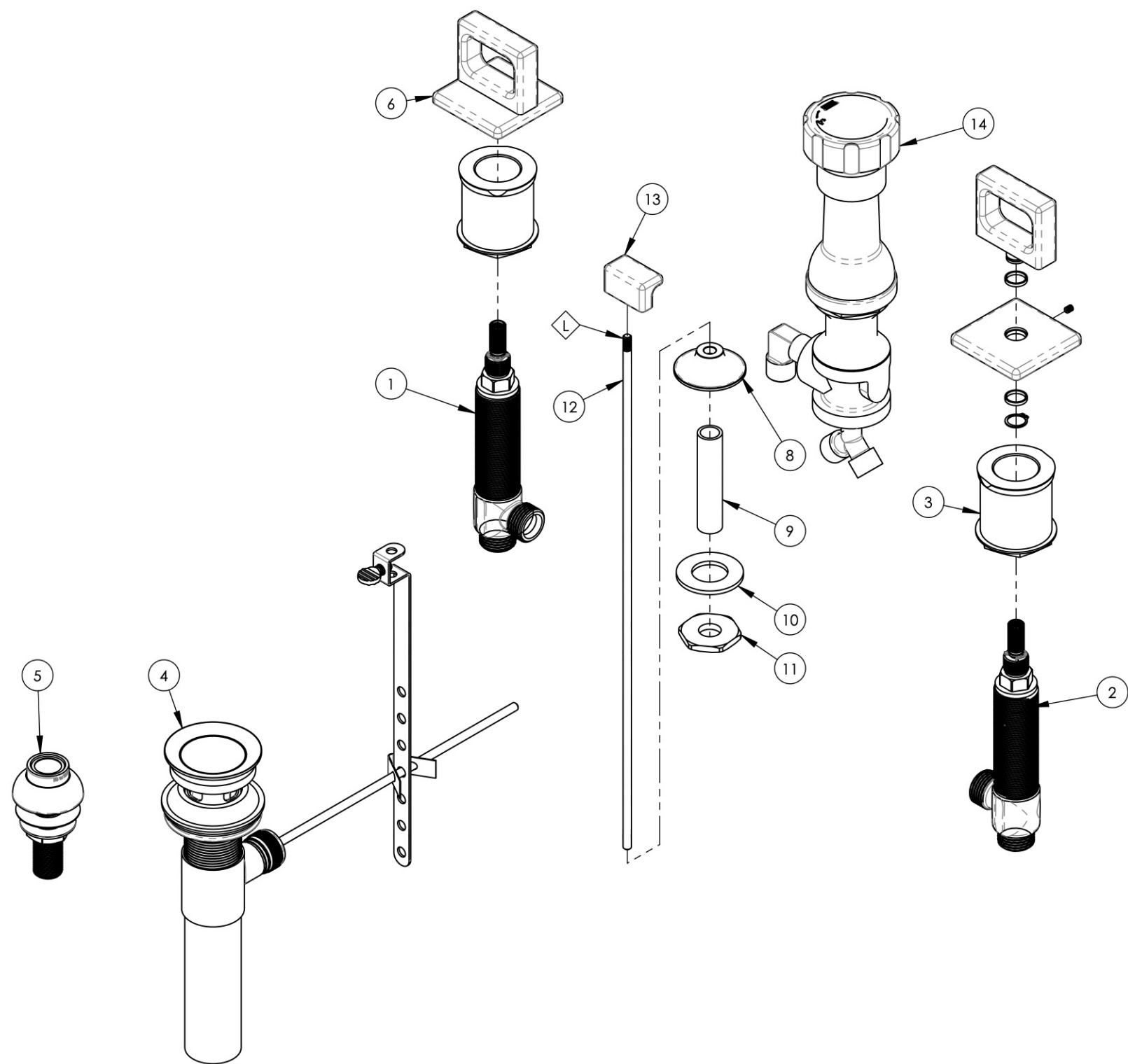


NOTE(S):
 1. PART NUMBER, "/00" DENOTES PART SHALL HAVE FINISH.
 2. APPLY NSF COMPLIANT LOCTITE TO THREADED AREA.



ITEM NO.	PART NUMBER	DESCRIPTION	QTY.
1	1-149	WIDESPREAD VALVE LAV 16PT, HOT, ONLY	1
2	1-150	WIDESPREAD VALVE LAV 16PT, COLD, ONLY	1
3	2-092	RECESSED MOUNTING KIT FOR WIDESPREAD	2
4	3-046/00	POP-UP DRAIN ASSEMBLY (2-101, 2-102, & 2-246)	1
5	3-085/00	ASSY, BIDET SPRAYER	1
6	3-103/00	ASSY, HANDLE WINDOW MIX	2
7	3-150/00	POP UP ROD BIDET. MIX SERIES	1
8	P09007/00	K4160 POP UP GUIDE	1
9	P32010	9/16-20 x 56 NIPPLE FOR COMPRESSION STEM	1
10	P35026	3/4" SAE FLAT WASHER	1
11	P09006	SPECIAL HEX F/BIDET SPRAYER	1
12	10719/00	POP-UP ROD, 10-24, 14" LONG	1
13	10956/00	POP-UP KNOB, MIX SERIES	1
14	3-160/00	BIDET DIVERTER, COMPLETE	1



ZONE	REV.	DESCRIPTION	DATE	APPROVED	
REVISIONS					
1261 LOGAN AVENUE COSTA MESA, CALIFORNIA 92626 PHONE: 714.361.4800 FAX: 714.617.3120		PHYLIRICH Defining Luxury Since 1959	PROPRIETARY AND CONFIDENTIAL THE INFORMATION CONTAINED IN THIS DRAWING IS THE SOLE PROPERTY OF PHYLIRICH. ANY REPRODUCTION IN PART OR AS A WHOLE WITHOUT THE WRITTEN PERMISSION OF PHYLIRICH IS PROHIBITED.		

-	-	INTERPRET GEOMETRIC DIMENSIONING & TOLERANCING IN ACCORDANCE WITH ASME Y14.5-2009 & ASME Y14.41-2003 STANDARDS. UNLESS OTHERWISE SPECIFIED, DIMENSIONS ARE IN INCHES. TOLERANCES ARE:		
NEXT ASSY	USED ON	FRACTIONS ±1/16"	DECIMALS X.X: ±.1 X.XX: ±.01 X.XXX: ±.005	ANGULAR ±2°
APPLICATION		MATERIAL	NAME	DATE
FINISH		DRAWN	CA	11/27/2013
DO NOT SCALE DRAWING		CHECKED		

BIDET SET, FOUR HOLE, RING, MIX		
SIZE	ASM/PRT NO.	REV
B	290-62/00	-
SCALE: 1:3	WEIGHT: lbs.	SHEET 1 OF 2