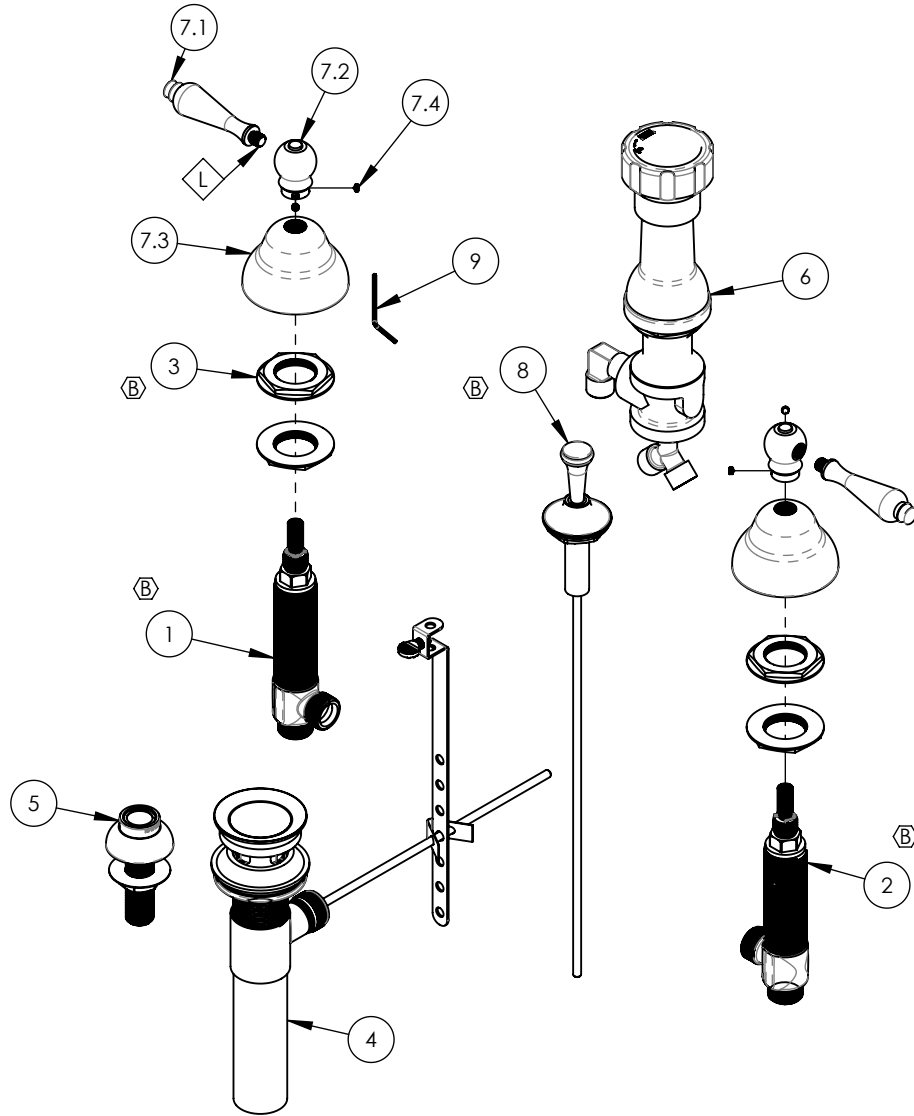


NOTE(S):

1. APPLY NSF COMPLIANT LOCTITE TO THREADED AREA. L



ITEM NO.	PART NUMBER	DESCRIPTION	QTY.
1	1-149	WIDESPREAD VALVE LAV 16PT, HOT, ONLY	1
2	1-150	WIDESPREAD VALVE LAV 16PT, COLD, ONLY	1
3	2-203	MOUNTING NUT KIT, WIDESPREAD LAV	4
4	3-046/00	POP-UP DRAIN ASSEMBLY (2-101, 2-102, & 2-246)	1
5	3-085/00	ASSY, BIDET SPRAYER	1
6	3-160/00	BIDET DIVERTER, COMPLETE	1
7	3-470/00	ASSY. LEVER HANDLE, REVERE & SAVANNAH	2
7.1	P01032/00	K160 LEVER FOR HANDLE	1
7.2	P01031/00	K160 D100 BALL FOR HANDLE, HUB	1
7.3	P02004/00	K190X2 COVER PLATE	1
7.4	92163	SET SCREW, CONE PT 8-32 X 1/8" L	2
8	3-474/00	ASSY. BIDET POP-UP ROD, 3 RING SERIES	1
9	P39001	HEX KEY 5/64, FOR 8-32 SET SCREW	1

ALL	B	UPDATE TEMPLATE, VALVES, & POP UP ASSY, ADD 2ND SHEET & CALL OUTS	6/22/2020	AMM
ZONE	REV.	DESCRIPTION	DATE	APPROVED
REVISIONS				

-	-	INTERPRET GEOMETRIC DIMENSIONING & TOLERANCING IN ACCORDANCE WITH ASME Y14.5-2009 & ASME Y14.41-2003 STANDARDS, UNLESS OTHERWISE SPECIFIED. DIMENSIONS ARE IN INCHES. TOLERANCES ARE:
-	-	
-	-	
NEXT ASSY	USED ON	FRACTIONS $\pm 1/16"$ DECIMALS X.X: $\pm .1$ X.XX: $\pm .01$ X.XXX: $\pm .005$ ANGULAR $\pm 2^\circ$
APPLICATION		
MATERIAL	NAME	DATE
FINISH	DRAWN	LLO 5/18/2016
DO NOT SCALE DRAWING		
CHECKED		

FOUR HOLE BIDET SET, STRAIGHT LEVER, REVERE & SAVANNAH

SIZE	ASM/PRT NO.	REV
A	D4100/00	B

SCALE: 1:4.5 WEIGHT: lbs. SHEET 1 OF 2

1261 LOGAN AVENUE
 COSTA MESA, CALIFORNIA 92626
 PHONE: 714.361.4800
 FAX: 714.617.3120

PHYLIRICH[®]

Defining Luxury Since 1959

PROPRIETARY AND CONFIDENTIAL

THE INFORMATION CONTAINED IN THIS DRAWING IS THE SOLE PROPERTY OF PHYLIRICH. ANY REPRODUCTION IN PART OR AS A WHOLE WITHOUT THE WRITTEN PERMISSION OF PHYLIRICH IS PROHIBITED.

5

4

3

2

1

E

E

D

D

C

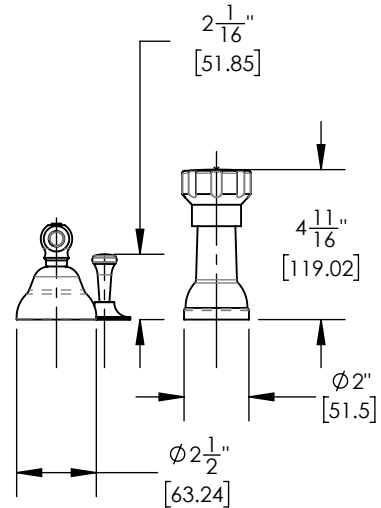
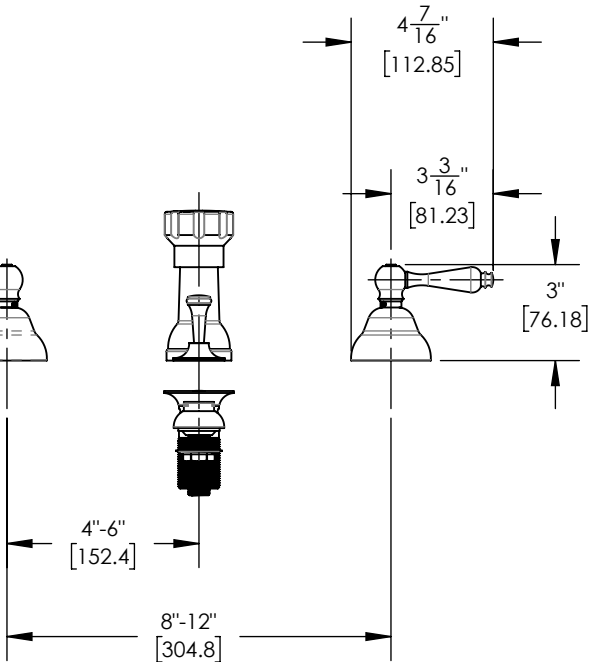
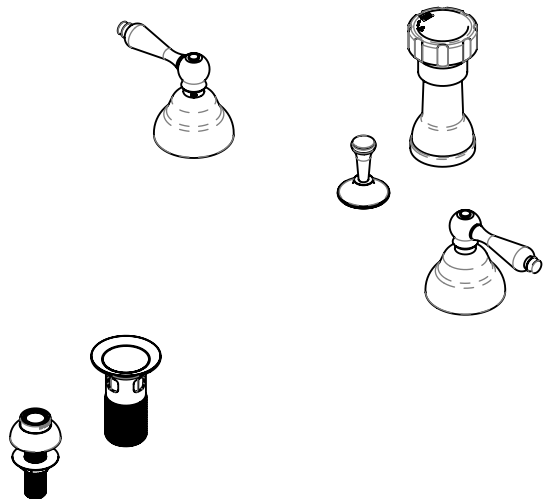
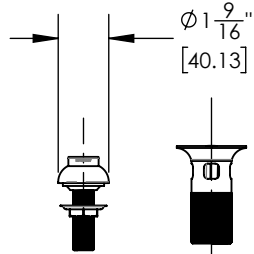
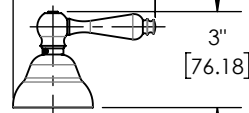
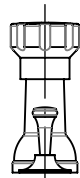
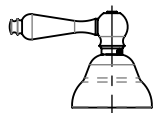
C

B

B

A

A



1261 LOGAN AVENUE
COSTA MESA, CALIFORNIA 92626
PHONE: 714.361.4800
FAX: 714.617.3120

PHYLIRICH[®]
Defining Luxury Since 1959

PROPRIETARY AND CONFIDENTIAL
THE INFORMATION CONTAINED IN THIS DRAWING IS THE SOLE PROPERTY OF PHYLIRICH. ANY REPRODUCTION IN PART OR AS A WHOLE WITHOUT THE WRITTEN PERMISSION OF PHYLIRICH IS PROHIBITED.
DO NOT SCALE DRAWING

FOUR HOLE BIDET SET, STRAIGHT LEVER, REVERE & SAVANNAH

SIZE A	ASM/PRT NO. D4100/00	REV B
SCALE: 1:6	WEIGHT: lbs.	SHEET 2 OF 2

5

4

3

2

1