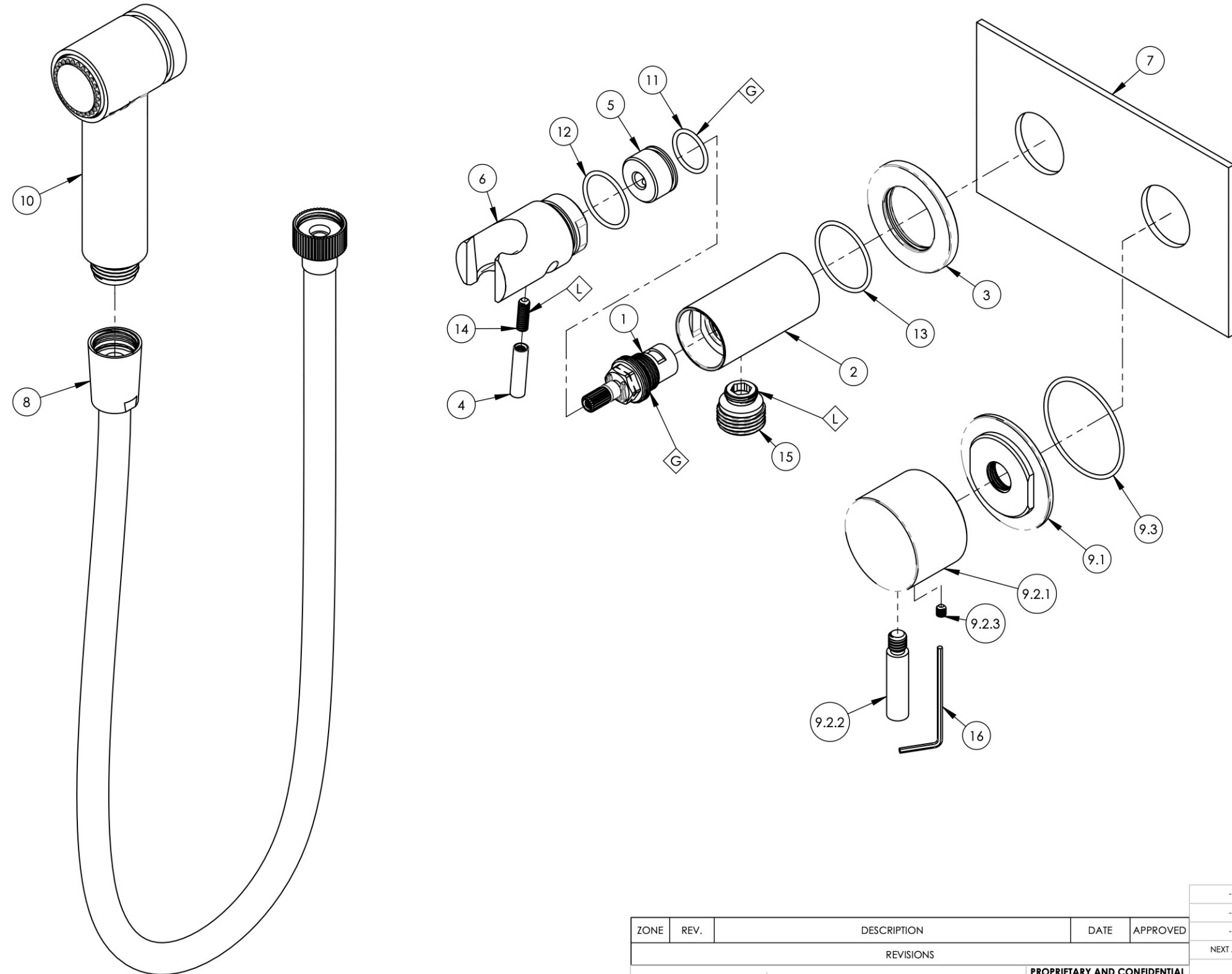


- NOTE(S):
1. APPLY NSF COMPLIANT GREASE TO ANY O-RING, SEALING JOINTS, AND/OR PIVOTAL POINTS. G
  2. APPLY NSF COMPLIANT LOCTITE TO THREADED AREA. L

ITEM NO.	PART NUMBER	DESCRIPTION	QTY.
1	10739	CARTRIDGE, VALVE 3/8" G RIGHT CLOSING	1
2	10859/00	BODY, HANDSHOWER HOLDER W/ INTEGRATED VOL. CTRL.	1
3	10860/00	ESCUTCHEON, FLANGE	1
4	10861/00	HANDLE, LEVER 10-24 UNC	1
5	10862/00	HIDDEN HUB, HANDSHOWER VOL. CTRL.	1
6	10863/00	SHOWER HOOK, INTEGRATED HANDLE	1
7	11212/00	PLATE, TWO HANDLE, BASIC SERIES	1
8	3-049/00	ASSY. HOSE KIT, HANDSHOWER	1
9	3-339/00	SUB ASSY. LEVER HANDLE, BASIC II	1
9.1	11164/00	ESCUTCHEON BASE, CONTEMP. BASIC II	1
9.2	2-249/00	HANDLE LEVER, BASIC II	1
9.2.1	11167/00	BASE HANDLE, CONTEMP. BASIC II	1
9.2.2	11168/00	HANDLE LEVER, CONTEMP. BASIC II	1
9.2.3	92008	SET SCREW, CUP POINT 8-32, 3/16" L.	1
9.3	90031	O-RING, 1-3/4" ID X 1/16" THK, AS-568-031	1
10	3-410/00	ASSY. HAND SPRAY	1
11	90017	O-RING, 11/16" ID X 13/16" OD X 1/16" THK, AS-568-017	1
12	90021	O-RING, 15/16" ID X 1-1/16" OD X 1/16" THK, AS-568-021	1
13	90025	O-RING, 1-3/16" ID X 1/16" THK, AS-568-025	1
14	92152	SET SCREW, CUP PT. 10-24 UNC X 5/8" L.	1
15	P18011/00	CONNECTOR OUTLET 1/2", HOUSING OV10	1
16	P39001	HEX KEY 5/64, FOR 8-32 SET SCREW	1



ZONE	REV.	DESCRIPTION	DATE	APPROVED
REVISIONS				
		<b>PHYLIRICH</b> Defining Luxury Since 1959		
		<b>PROPRIETARY AND CONFIDENTIAL</b>		
		THE INFORMATION CONTAINED IN THIS DRAWING IS THE SOLE PROPERTY OF PHYLIRICH. ANY REPRODUCTION IN PART OR AS A WHOLE WITHOUT THE WRITTEN PERMISSION OF PHYLIRICH IS PROHIBITED.		

INTERPRET GEOMETRIC DIMENSIONING & TOLERANCING IN ACCORDANCE WITH ASME Y14.5-2009 & ASME Y14.41-2003 STANDARDS. UNLESS OTHERWISE SPECIFIED, DIMENSIONS ARE IN INCHES. TOLERANCES ARE:			
FRACTIONS ±1/16"	DECIMALS X.X: ±.1 X.XX: ±.01 X.XXX: ±.005	ANGULAR ±2°	
NEXT ASSY	USED ON	APPLICATION	
MATERIAL	NAME	DATE	
FINISH	DRAWN	AMM	5/5/2020
<b>DO NOT SCALE DRAWING</b>			
CHECKED			

<b>TRIM, WALL MOUNTED BIDET, LEVER HANDLE, BASIC II</b>		
SIZE	ASM/PRT NO.	REV
<b>B</b>	230-68/00	-
SCALE: 1:2	WEIGHT: lbs.	SHEET 1 OF 2

1261 LOGAN AVENUE  
COSTA MESA, CALIFORNIA 92626  
PHONE: 714.361.4800  
FAX: 714.617.3120