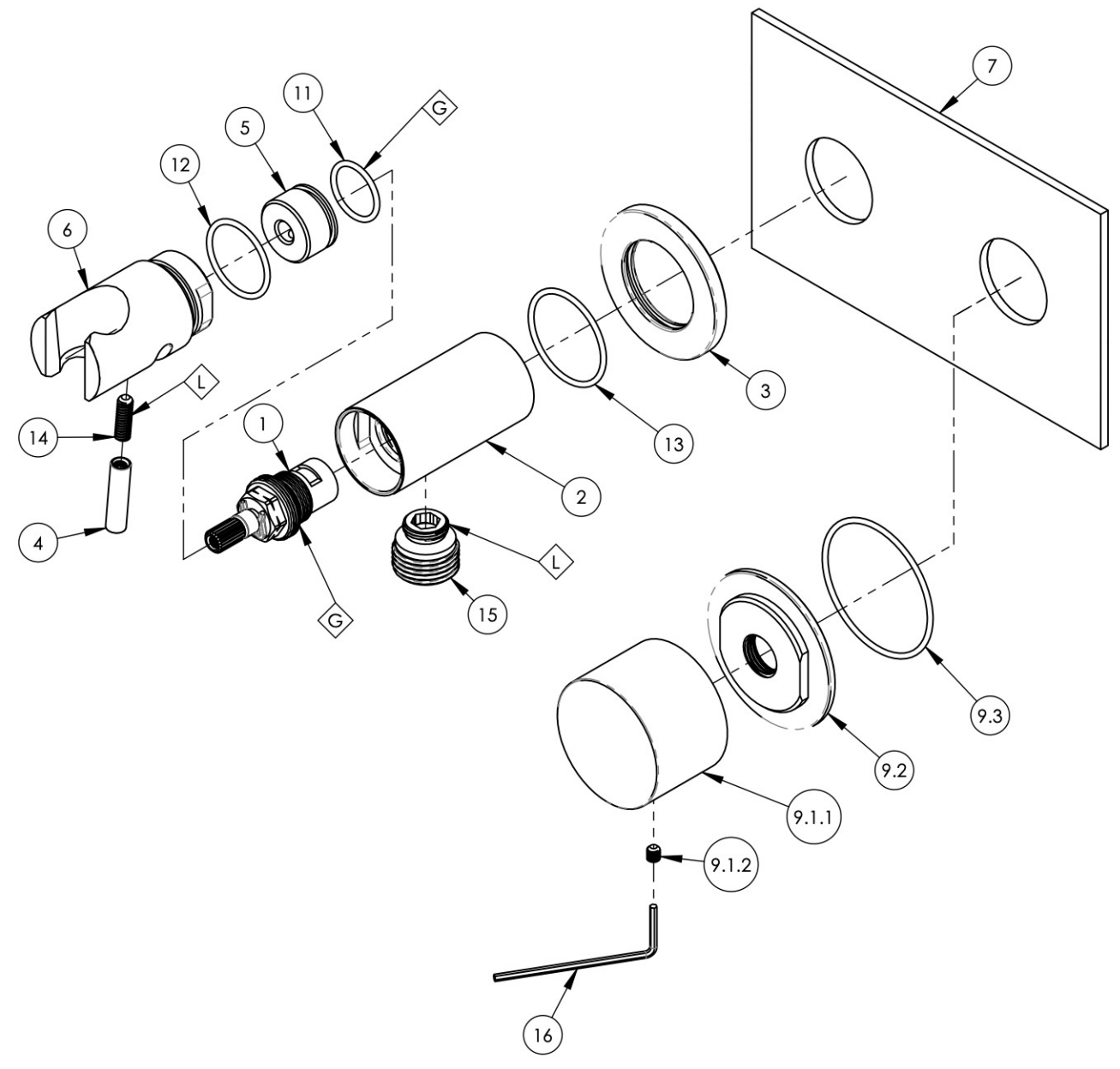
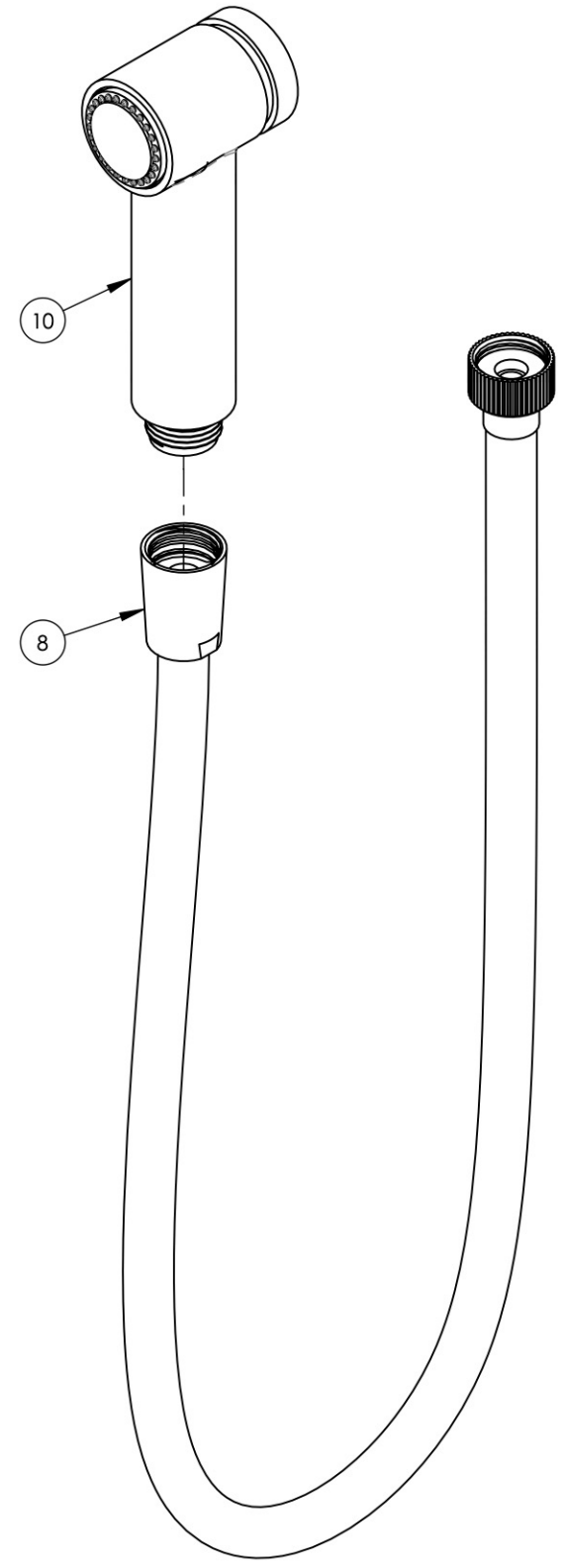


- NOTE(S):
1. APPLY NSF COMPLIANT GREASE TO ANY O-RING, SEALING JOINTS, AND/OR PIVOTAL POINTS. G
 2. APPLY NSF COMPLIANT LOCTITE TO THREADED AREA. L

ITEM NO.	PART NUMBER	DESCRIPTION	QTY.
1	10739	CARTRIDGE, VALVE 3/8" G RIGHT CLOSING	1
2	10859/00	BODY, HANDSHOWER HOLDER W/ INTEGRATED VOL. CTRL.	1
3	10860/00	ESCUTCHEON, FLANGE	1
4	10861/00	HANDLE, LEVER 10-24 UNC	1
5	10862/00	HIDDEN HUB, HANDSHOWER VOL. CTRL.	1
6	10863/00	SHOWER HOOK, INTEGRATED HANDLE	1
7	11212/00	PLATE, TWO HANDLE, BASIC SERIES	1
8	3-049/00	ASSY. HOSE KIT, HANDSHOWER	1
9	3-386/00	SUB ASSY. SMOOTH HANDLE, BASIC II	1
9.1	2-248/00	HANDLE SMOOTH, BASIC II	1
9.1.1	10433/00	BASE HANDLE, CONTEMP. BASIC II	1
9.1.2	92008	SET SCREW, CUP POINT 8-32, 3/16" L.	1
9.2	11164/00	ESCUTCHEON BASE, CONTEMP. BASIC II	1
9.3	90031	O-RING, 1-3/4" ID X 1 1/16" THK, AS-568-031	1
10	3-410/00	ASSY. HAND SPRAY	1
11	90017	O-RING, 11/16" ID X 13/16" OD X 1/16" THK, AS-568-017	1
12	90021	O-RING, 15/16" ID X 1-1/16" OD X 1/16" THK, AS-568-021	1
13	90025	O-RING, 1-3/16" ID X 1 1/16" THK, AS-568-025	1
14	92152	SET SCREW, CUP PT. 10-24 UNC X 5/8" L.	1
15	P18011/00	CONNECTOR OUTLET 1/2", HOUSING OV10	1
16	P39001	HEX KEY 5/64, FOR 8-32 SET SCREW	1



ZONE	REV.	DESCRIPTION	DATE	APPROVED	
REVISIONS					
1261 LOGAN AVENUE COSTA MESA, CALIFORNIA 92626 PHONE: 714.361.4800 FAX: 714.617.3120		PHYLIRICH Defining Luxury Since 1959	PROPRIETARY AND CONFIDENTIAL THE INFORMATION CONTAINED IN THIS DRAWING IS THE SOLE PROPERTY OF PHYLIRICH. ANY REPRODUCTION IN PART OR AS A WHOLE WITHOUT THE WRITTEN PERMISSION OF PHYLIRICH IS PROHIBITED.		

NEXT ASSY	USED ON	FRACTIONS ±1/16"	DECIMALS X.X: ±.1 X.XX: ±.01 X.XXX: ±.005	ANGULAR ±2°
APPLICATION				
MATERIAL		NAME DATE		
FINISH		DRAWN AMM 5/5/2020		
DO NOT SCALE DRAWING		CHECKED		

TRIM, WALL MOUNTED BIDET, SMOOTH HANDLE, BASIC II		
SIZE	ASM/PRT NO.	REV
B	230-66/00	-
SCALE: 1:2	WEIGHT: lbs.	SHEET 1 OF 2