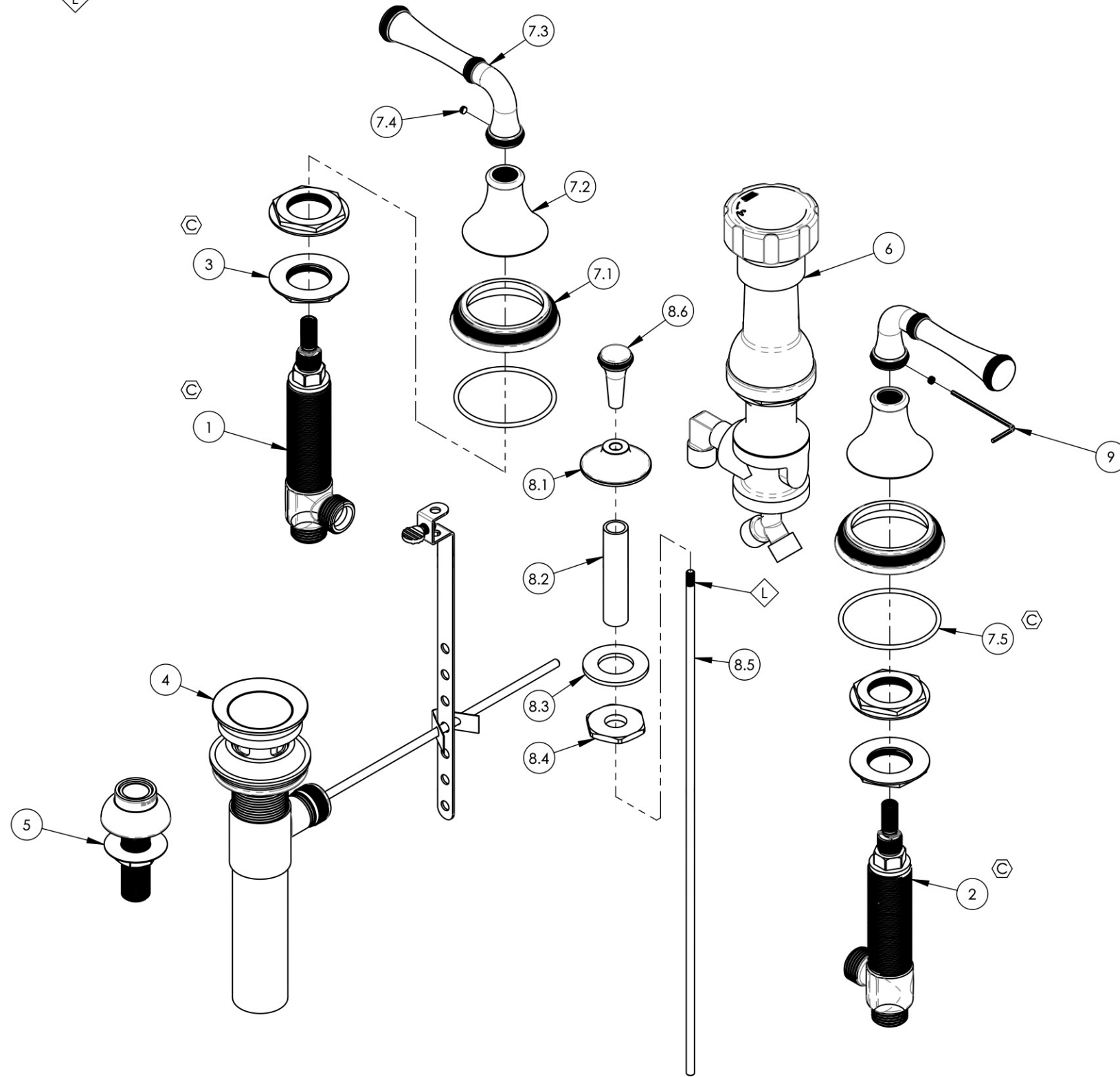


NOTE(S):

1. APPLY NSF COMPLIANT LOCTITE TO THREADED AREA



ITEM NO.	PART NUMBER	DESCRIPTION	QTY.
1	1-149	WIDESPREAD VALVE LAV 16PT, HOT, ONLY	1
2	1-150	WIDESPREAD VALVE LAV 16PT, COLD, ONLY	1
3	2-203	MOUNTING NUT KIT, WIDESPREAD LAV	4
4	3-046/00	POP-UP DRAIN ASSEMBLY (2-101, 2-102, & 2-246)	1
5	3-085/00	ASSY, BIDET SPRAYER	1
6	3-160/00	BIDET DIVERTER, COMPLETE	1
7	3-317/00	LEVER HANDLE, COINED SERIES	2
7.1	10978/00	ESCUTCHEON HANDLE BASE COINED, 3RING, COINED SERIES	1
7.2	10972/00	HUB, TRANSITIONAL 3RING	1
7.3	10977/00	HANDLE, STRAIGHT LEVER COINED, 3RING	1
7.4	92163	SET SCREW, CONE PT 8-32 X 1/8"L	1
7.5	90138	O-RING, 2 1/8"ID X 3/32"THK., AS-568-138	1
8	3-321/00	POP UP ROD BIDET. COINED SERIES	1
8.1	P09007/00	K4160 POP UP GUIDE	1
8.2	P32010	9/16-20 x 56 NIPPLE FOR COMPRESSION STEM	1
8.3	P35026	3/4" SAE FLAT WASHER	1
8.4	P09006	SPECIAL HEX F/BIDET SPRAYER	1
8.5	10719/00	POP-UP ROD, 10-24, 14" LONG	1
8.6	10980/00	POP-UP KNOB, COINED SERIES	1
9	P39001	HEX KEY 5/64, FOR 8-32 SET SCREW	1

ALL	C	UPDATE TEMPLATE, VALVES/ HANDLE ASSY, SEPARATE HEX FROM SUBASSY, ADD SHEET 2	4/9/2020	AMM
ZONE	REV.	DESCRIPTION	DATE	
REVISIONS				

1261 LOGAN AVENUE
COSTA MESA, CALIFORNIA 92626
PHONE: 714.361.4800
FAX: 714.617.3120

PHYLIRICH
Defining Luxury Since 1959

PROPRIETARY AND CONFIDENTIAL
THE INFORMATION CONTAINED IN THIS DRAWING IS THE SOLE PROPERTY OF PHYLIRICH. ANY REPRODUCTION IN PART OR AS A WHOLE WITHOUT THE WRITTEN PERMISSION OF PHYLIRICH IS PROHIBITED.

NEXT ASSY	USED ON	FRACTIONS ±1/16"	DECIMALS X.X: ±.1 X.XX: ±.01 X.XXX: ±.005	ANGULAR ±2°
APPLICATION		MATERIAL	NAME	DATE
FINISH		DRAWN	LLO	10/26/2015
DO NOT SCALE DRAWING		CHECKED	GRE	

BIDET SET, FOUR HOLE, COINED SERIES		
SIZE	ASM/PRT NO.	REV
B	208-60/00	C
SCALE: 1:3	WEIGHT: lbs.	SHEET 1 OF 2