



# PHYLTRICH®

Defining Luxury Since 1959

---

## **INSTALLATION INSTRUCTIONS FOR BIDET SET WITH VACUUM BREAKER**

1261 Logan Ave, Costa Mesa, CA 92626  
Telephone: 714-361-4830 Fax: 714-617-3120  
[www.Phylrich.com](http://www.Phylrich.com)

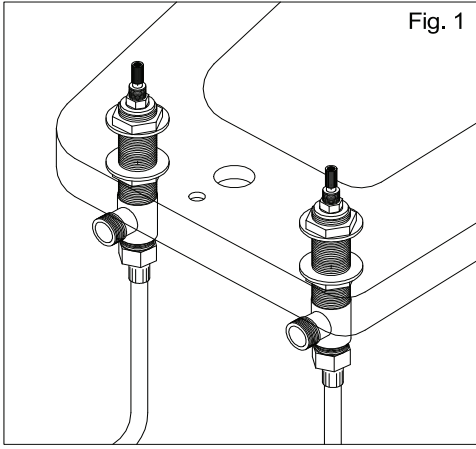


Fig. 1

Mount hot and cold valves (#13 & 20). Position top mounting nut to allow for sufficient height to accommodate escutcheons and handles.

Flush incoming supply lines.

Attach supplies to hot and cold valve inlets. Use brass coupling nuts (#12) if necessary. (Fig. 1)

With bottom China seal (#8) in place, assemble diverter/vacuum breaker (#9) onto bidet ledge from underneath. Position top China seal (#7) and nylon washer (#6). Secure the diverter assembly by tightening the top secure nut (#5) from above. Fig. 2.

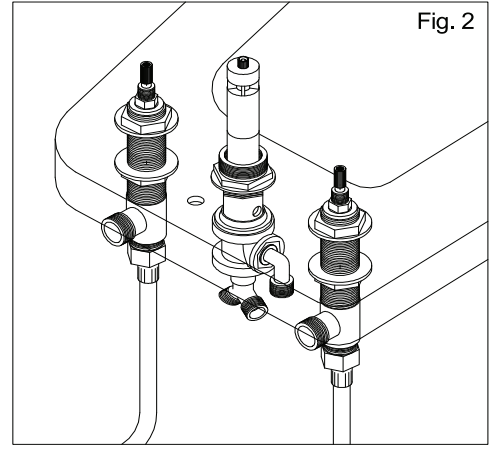


Fig. 2

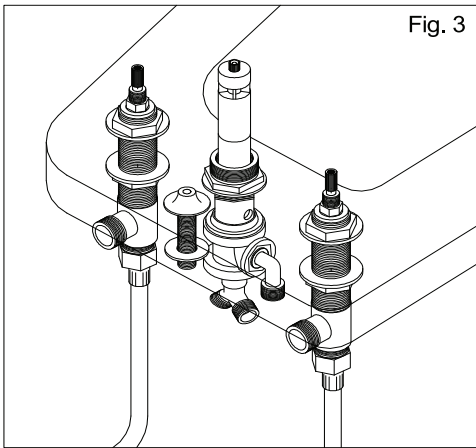


Fig. 3

Assemble pop-up guide (#23) onto bidet ledge from above. Secure with stainless steel washer (#24) and brass nut (#25). Fig. 3.

Insert spray body (#15) from the top of bidet bowl, with washer (#16) under flange. From the underside, secure assembly with stainless steel washer (#17) and brass nut (#18). Fig. 4.

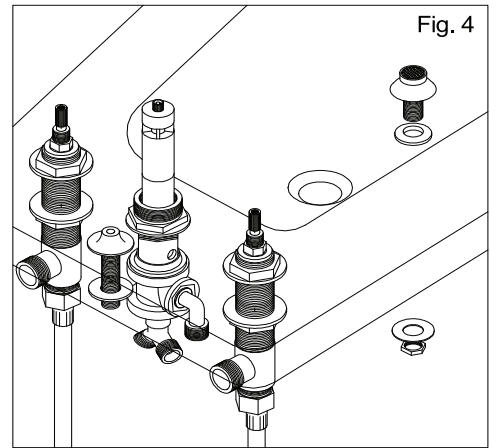


Fig. 4

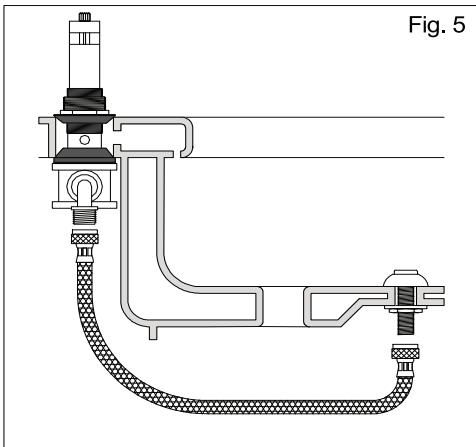


Fig. 5

Connect 24" stainless steel flexible hose (#19) from the outlet elbow (#10) of the diverter to spray assembly (#15). Fig. 5.

Using the two flexible supply hoses (#14), connect the two valves to the "Y" connector inlets of the diverter valve (#11). Position connections to hide flex hoses below bidet ledge. Fig. 6.

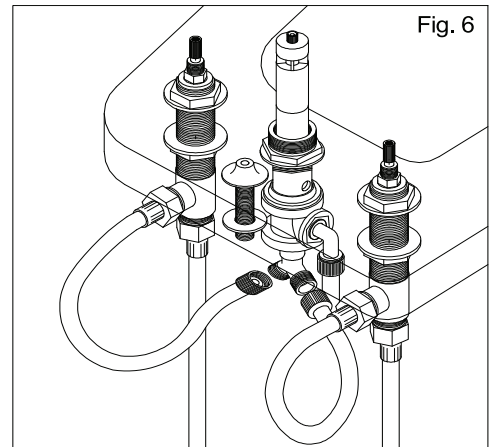


Fig. 6

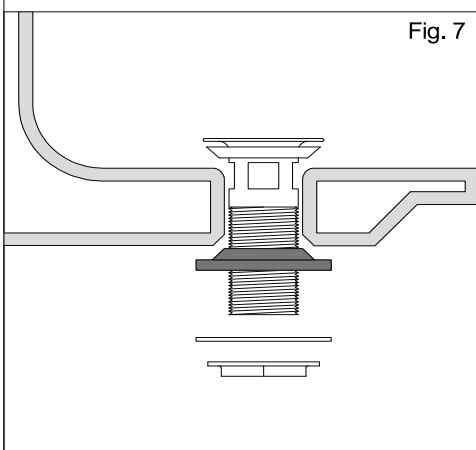


Fig. 7

Disassemble drain assembly. Place rubber gasket under drain flange and insert into top of drain opening of bidet. From under bidet bowl, slip rubber cone washer then stainless steel washer onto threaded portion of drain flange. Fig. 7.

Hand tighten brass mounting nut onto drain assembly.

Thread drain body tee onto flange section so that the ballrod opening is to the rear.

Wrench tighten all connections. Fig. 8

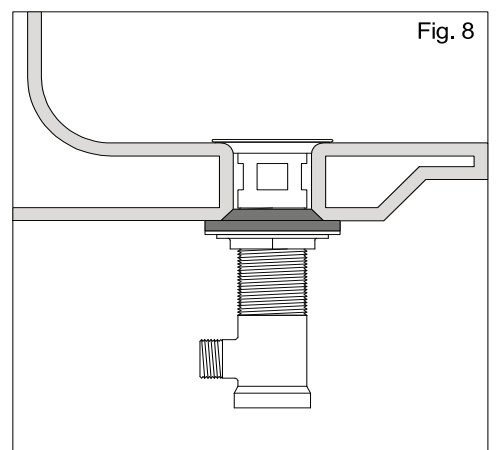


Fig. 8

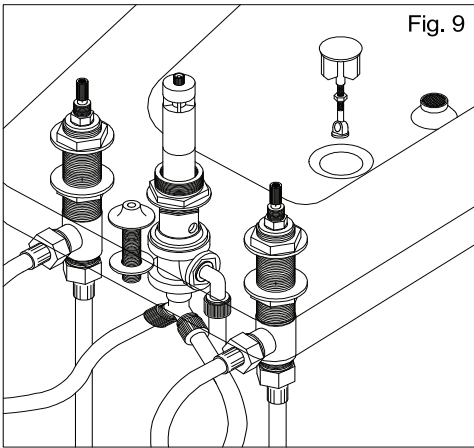


Fig. 9

Insert adjustable drain plug into drain flange. Fig. 9.

Insert ball rod (#27) into drain tee with the plastic bushing between the ball and drain tee. The tip of the ball rod can be inserted into the hole at the base of the drain plug or can be positioned under the flat portion for easy removal. Thread on the drain rod nut and hand tighten. Fig. 10.

Apply pipe joint compound or Teflon tape to the threads on tailpiece and screw into drain tee. Fig. 10.

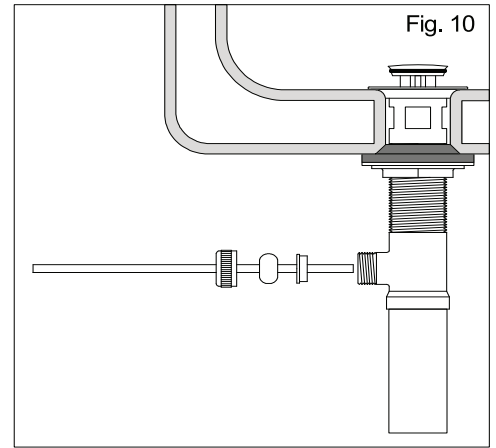


Fig. 10

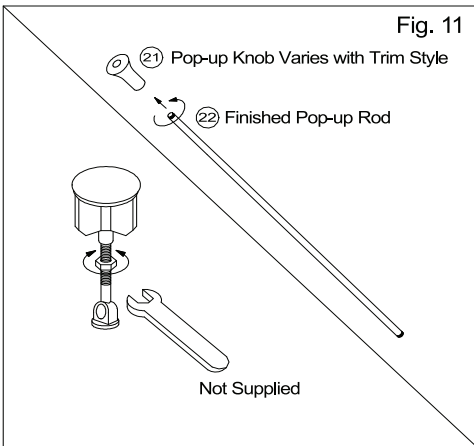


Fig. 11

21 Pop-up Knob Varies with Trim Style  
22 Finished Pop-up Rod

Not Supplied

The drain plug should open and close freely by moving the drain rod up and down. If not, adjust the length by rotating threaded portion. Lock into place by securing nut snugly against the bottom of plug. Fig. 11.

Assemble pop-up knob assembly by connecting pop-up knob (#21) to the finished pop-up rod (#22). Fig. 11. Insert pop-up rod assembly through top of pop-up guide (#23). Attach bundle clip (#26) by insert rod through holes at opposite ends of clip.

With ball rod (#28) down to raise the drain plug and with the pop-up knob in the down position, insert drain rod through the remaining holes in the bundle clip (#27). Fig. 12.

Tighten all connections.

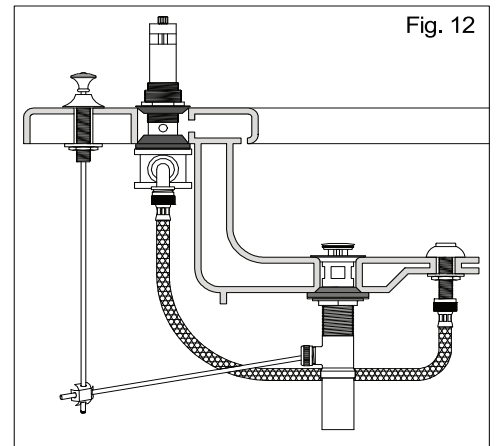


Fig. 12

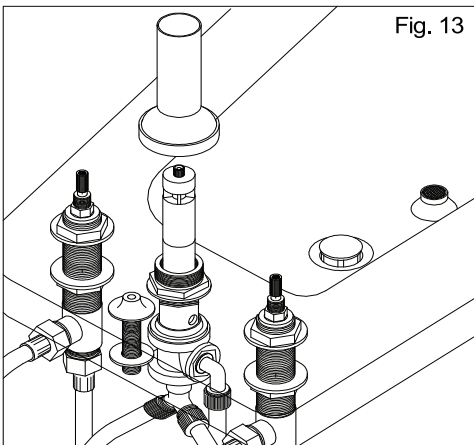


Fig. 13

Attach diverter escutcheon (#4) by threading onto diverter nut (#5). Fig. 13

Attach diverter handle (#3) to the stem on top of the diverter valve (#9). Secure handle with screw (#2). Place diverter handle cap (#1) on top of handle. Fig. 14.

Assemble hot and cold handle to complete installation.

For installation instructions for adjustable height handles See Step #15

Water test unit to check for leaks at the hose connections and tighten as necessary.

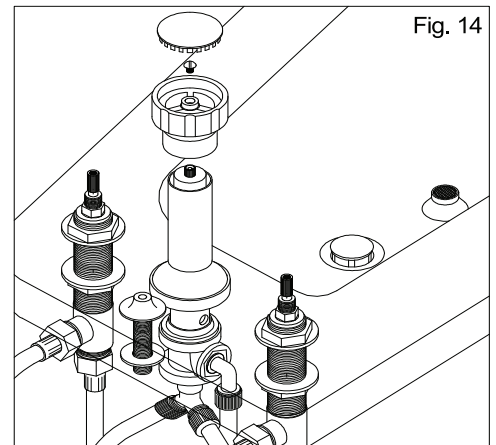
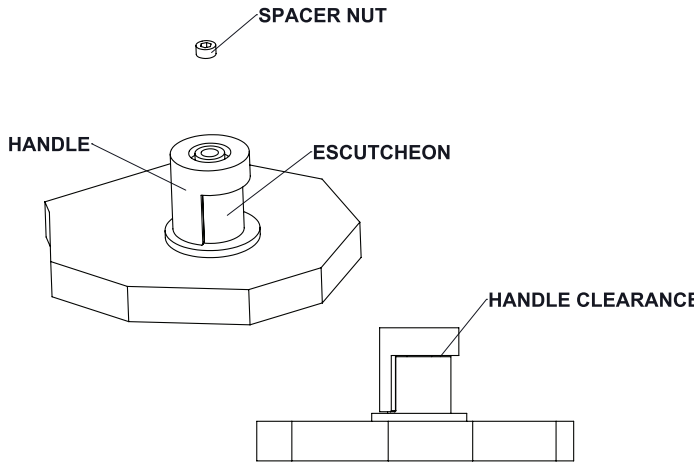


Fig. 14

## Trouble Shooting

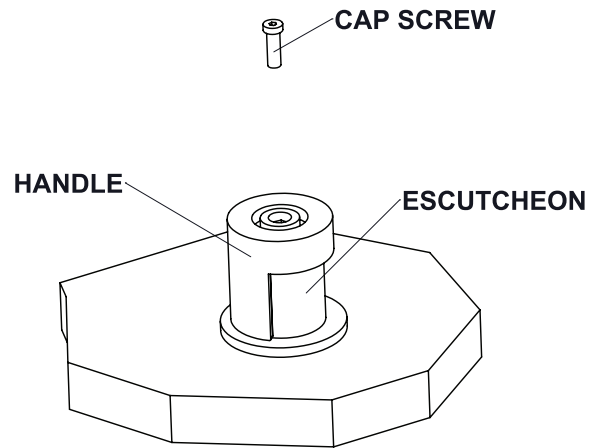
Problem	Solution
No water flow.	<p>Check that angle stops are open.</p> <p>Check for kinks or debris in all flex lines.</p> <p>Check for debris in spray assembly.</p>
Water does not divert.	<p>Check butterfly in diverter assembly. Remove screw (#9a) from the back of diverter valve. Without removing trim, lift handle from diverter assembly, then remove escutcheon. Make sure that the red washer on the white plastic butterfly is installed properly. When reinstalling valve assembly, make sure the long slot at the bottom of the assembly is towards the screw (#9a).</p>

### Step #15



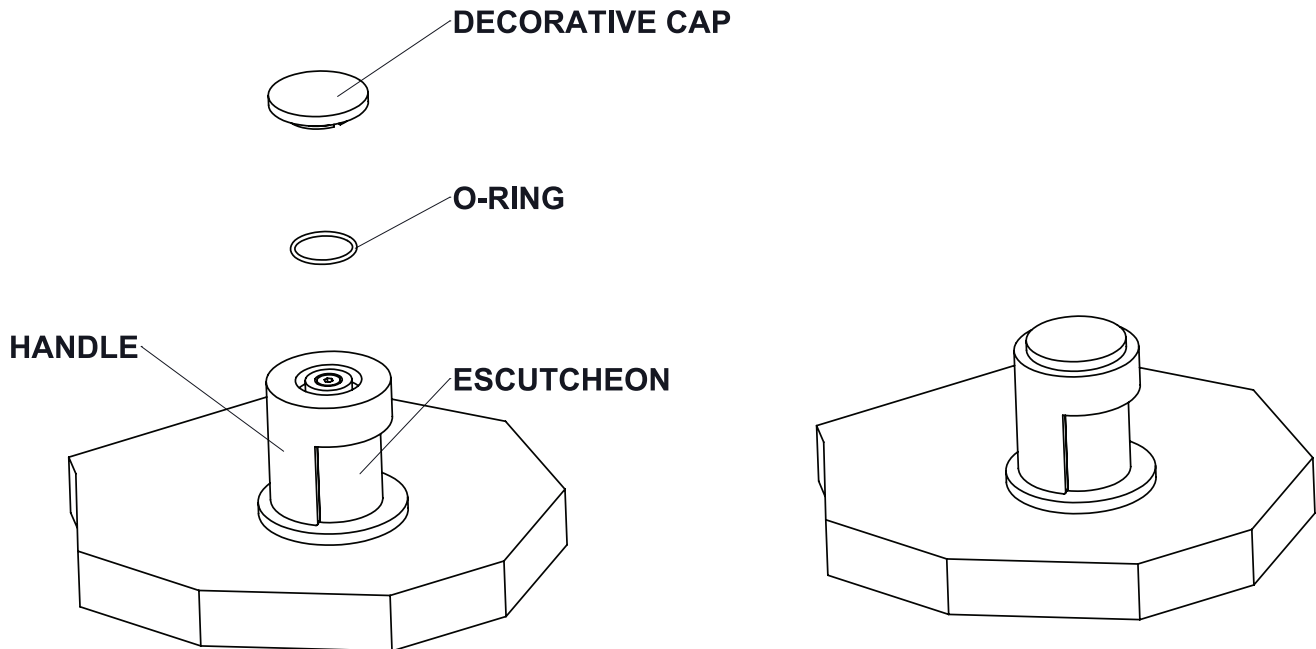
Attach handle to handle escutcheon. Tighten spacer nut into the handle so that there is clearance (~1/32") between the handle and the handle base. See clearance diagram shown above.

### Step #15.1



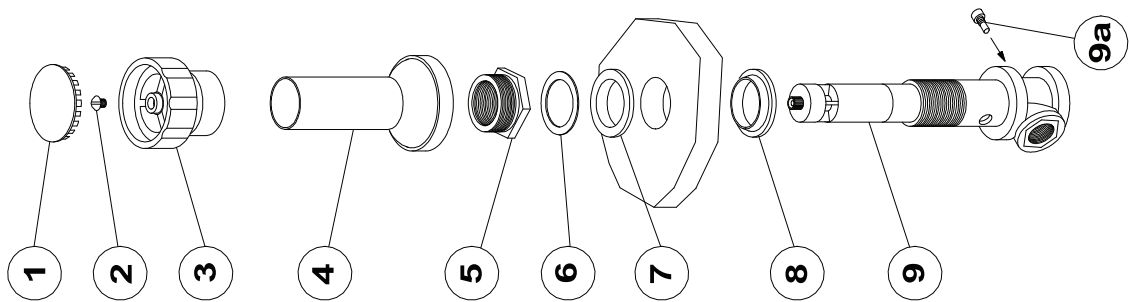
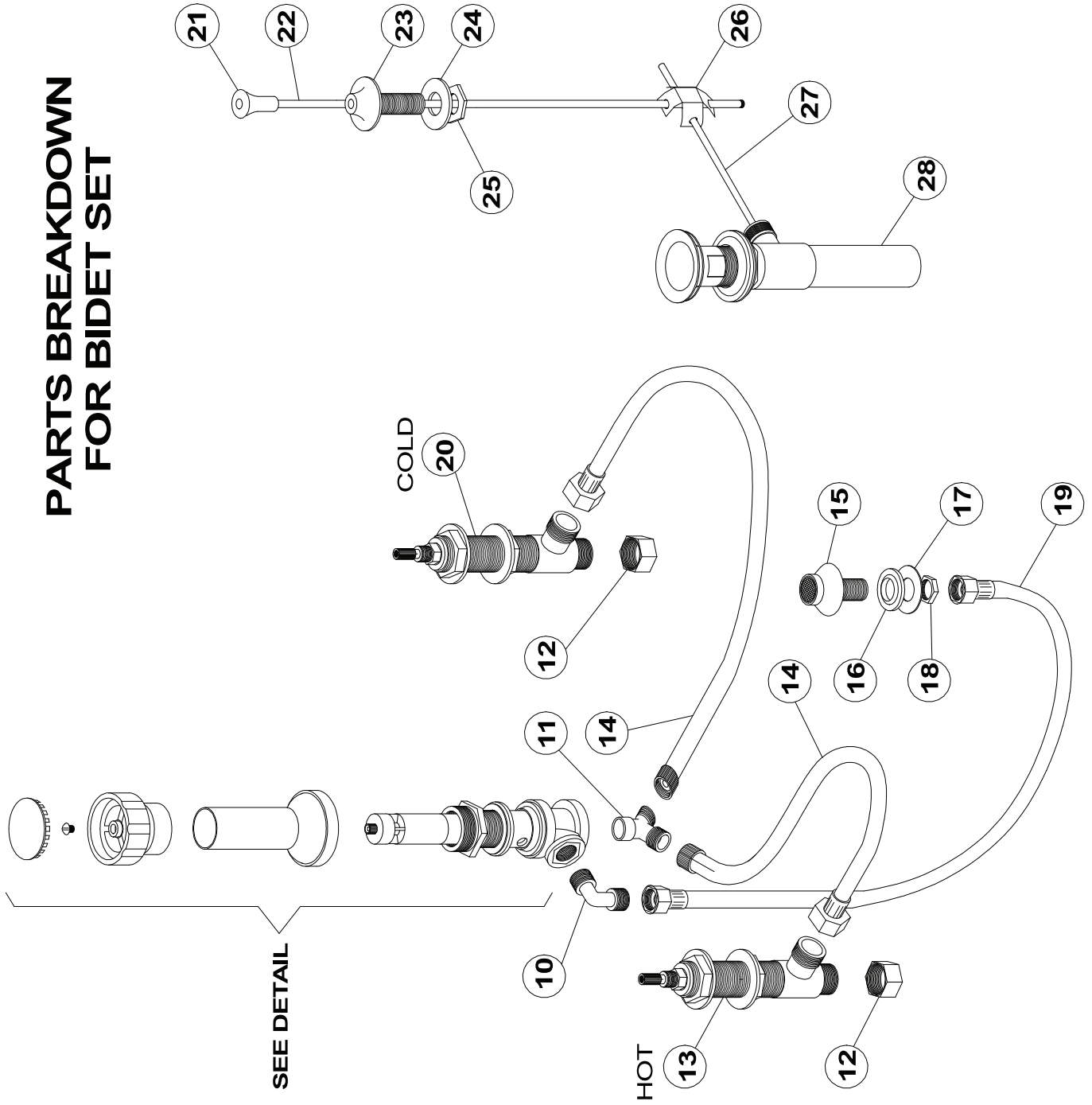
Secure handle to the handle escutcheon by tightening the cap screw into the valve stem.

### Step #15.2



Complete the handle installation by placing the o-ring and decorative cover plate into the recess in the handle.

# PARTS BREAKDOWN FOR BIDET SET



## DETAIL

P99008 (6/09) **BIDET PARTS LIST**

<b>Index #</b>	<b>Description</b>	<b>Part #</b>
1	Top Cap for Bidet Diverter Handle (Specify Finish)	Not Available
2	Secure Screw for Bidet Diverter Handle (4 mm)	Not Available
3	Bidet Diverter Handle (Specify Finish)	KBD100X1P
4	Bidet Diverter Escutcheon (Specify Finish)	KBD100X2
N.A.	Bidet Diverter Mounting Kit (Includes No. 5 - 8)	Not Available
5	Top Secure Nut for Bidet Diverter	Not Available
6	Top Nylon Washer for Bidet Diverter	Not Available
7	Top China Seal for Bidet Diverter	Not Available
8	Bottom China Seal for Bidet Diverter	Not Available
9	Bidet Diverter Valve Only	KBD100XDVC_011
10	Elbow to Spray Hose for Bidet Diverter Valve	KBD100X90ELB_001
11	"Y" Connector for Bidet Diverter Valve	KBD100XYT_001
12	Brass Coupling Nut for ½" Lavatory Valve (2)	Not Available
13	Hot ½" Lavatory Valve	LV499H_001
N.S.	Hot Lavatory Cartridge	LC499H
14	Bidet 10" Supply Lines	KBD100X1038_001
N.A.	Bidet Bowl Spray Assembly (Includes No. 15-18)	BD-SPR-0105
15	Bidet Bowl Spray Body	Order Spray Assembly
16	Rubber Washer for Bidet Bowl Spray	Order Spray Assembly
17	Stainless Steel Washer for Bidet Bowl Spray	Order Spray Assembly
18	Brass Secure Nut for Bidet Bowl Spray	1180_001
19	Spray Hose	KBD100X2438_001
20	Cold ½" Lavatory Valve	LV499C_001
N.S.	Cold Lavatory Cartridge	LC499C
21	Pop-Up Knob: Please see Parts price list as each series is distinct.	
22	Finished Pop-Up Rod	13 ROD
23	Pop-Up Guide for Bidet	4000B
24	Stainless Steel Washer for Pop-Up Guide	
25	Brass Secure Nut for Pop-Up Guide	
26	Bundle Clip	Not Available
27	Ball Rod	Not Available
28	Lavatory Drain	LD499P
Please refer to Phylrich Parts price list for hot and cold handle trim parts.		