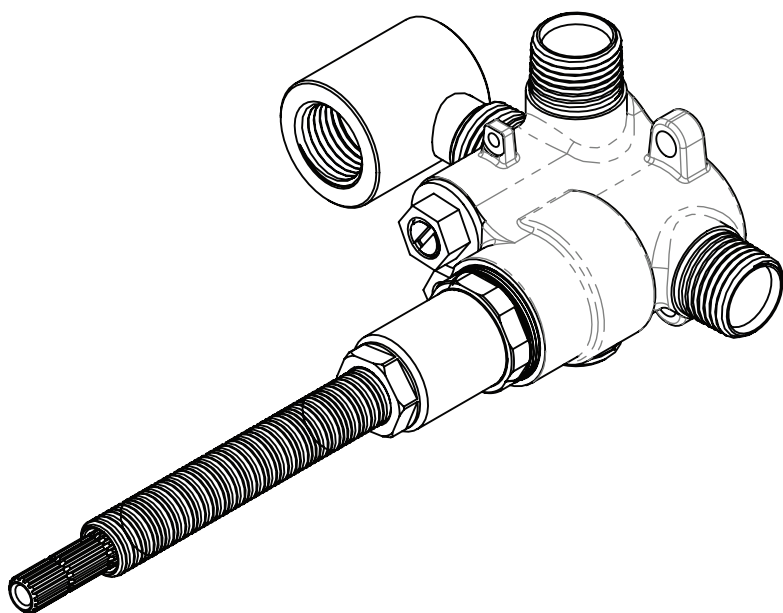


PHYLTRICH[®]

Defining Luxury Since 1959



INSTALLATION INSTRUCTIONS FOR Wall Mounted Bidet 1-124

GENERAL CHARACTERISTICS

WE RECOMMEND THAT ALL PLUMBING PRODUCTS BE INSTALLED BY A LICENSED PROFESSIONAL

IMPORTANT: Thoroughly read instructions before installation.

VALVE SPECIFICATION

Recommended supply pressure = **20 to 80 psi (1,38-5,52 bar)**

Recommended hot water supply temperature = **120° to 140°F (48°-60°C)**

Operating pressures between **hot and cold supplies** should vary no more than **30 psi (2,07 bar)**. If water pressure exceeds **70 psi (4,83 bar)**, install a pressure reducing valve.

Ensure the mixing valve is in compliance with local plumbing codes when setting the temperature on the water heater.

It is the installer's responsibility to verify **correct temperature setting** to prevent any risk of scalding prior to consumer use.

Male 1/2" NPT inlets and outlets

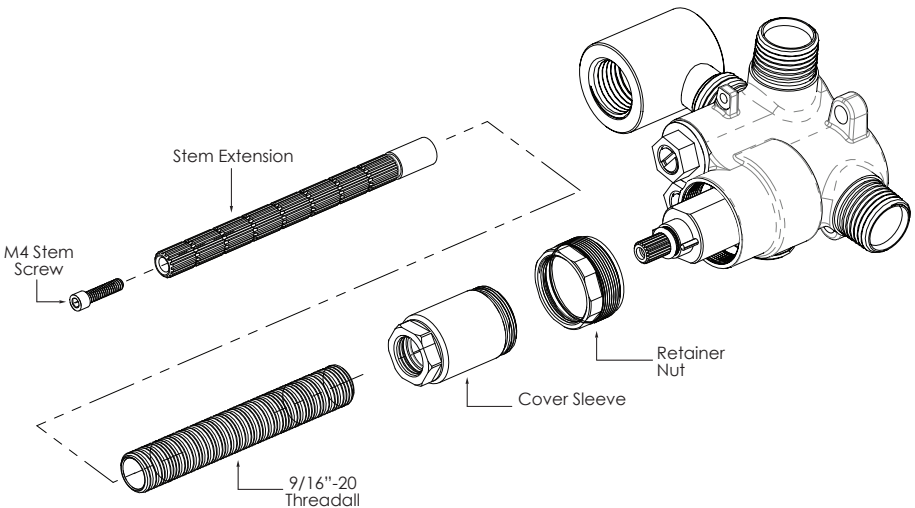
Factory temperature setting = **100°F (38°C)**

Temperature range = **52° to 118°F (11°-48°C)**

Temperature hot supply = **149° to 180°F (65°-82°C)**

Temperature cold supply = **50° to 72°F (10°-22°C)**

Temperature stability = **±32°F (0°C)**

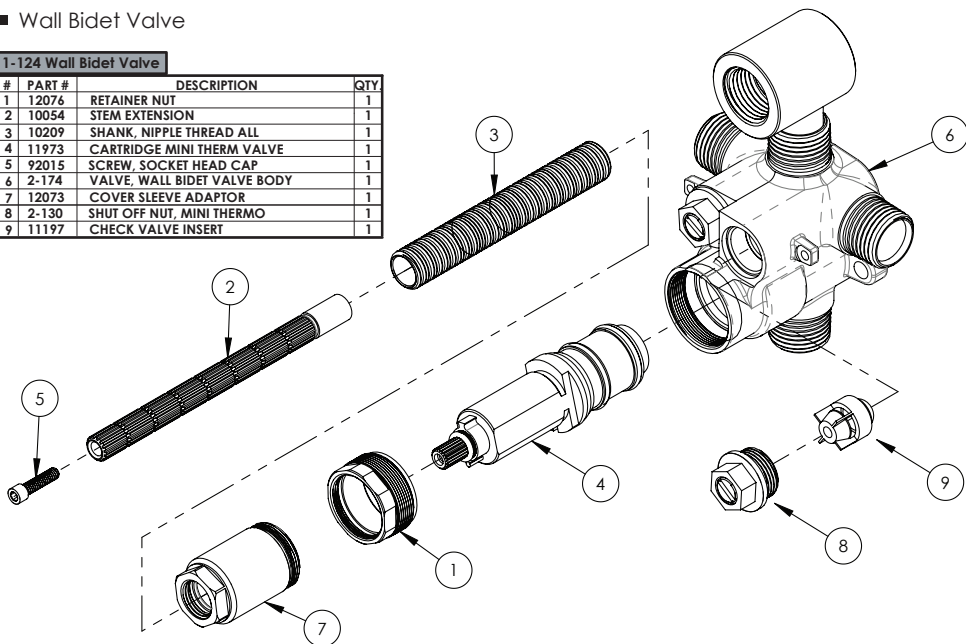


PARTS BREAKDOWN

■ Wall Bidet Valve

1-124 Wall Bidet Valve

#	PART #	DESCRIPTION	QTY
1	12076	RETAINER NUT	1
2	10054	STEM EXTENSION	1
3	10209	SHANK, NIPPLE THREAD ALL	1
4	11973	CARTRIDGE MINI THERM VALVE	1
5	92015	SCREW, SOCKET HEAD CAP	1
6	2-174	VALVE, WALL BIDET VALVE BODY	1
7	12073	COVER SLEEVE ADAPTOR	1
8	2-130	SHUT OFF NUT, MINI THERMO	1
9	11197	CHECK VALVE INSERT	1

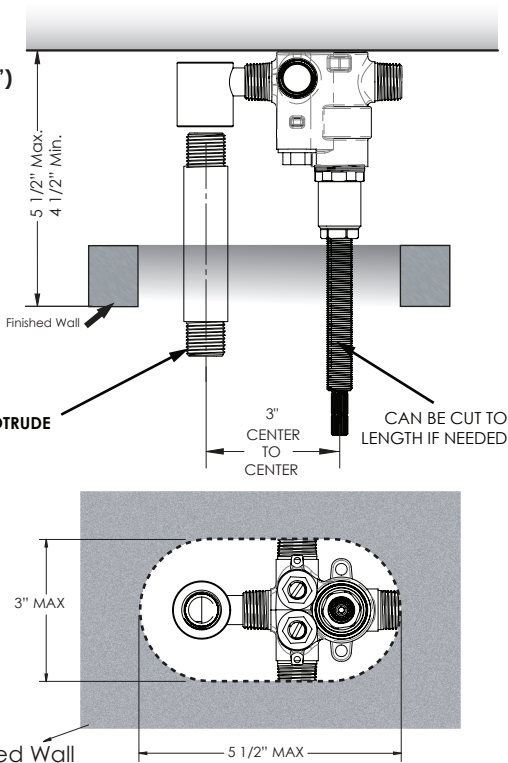


ROUGH IN DIMENSIONS

(All dimensions shown are to the nearest 1/16")

Once the desired location has been determined, install a **cross support beam to wall studs**. Ensure to level the **valve & secure to the cross support**. The valve should be level horizontally, vertically, & parallel to finished wall.

■ Opening for Finished wall



NOTE: 1/2" THREAD NEEDS TO PROTRUDE OFF THE FINISHED WALL

CAN BE CUT TO LENGTH IF NEEDED

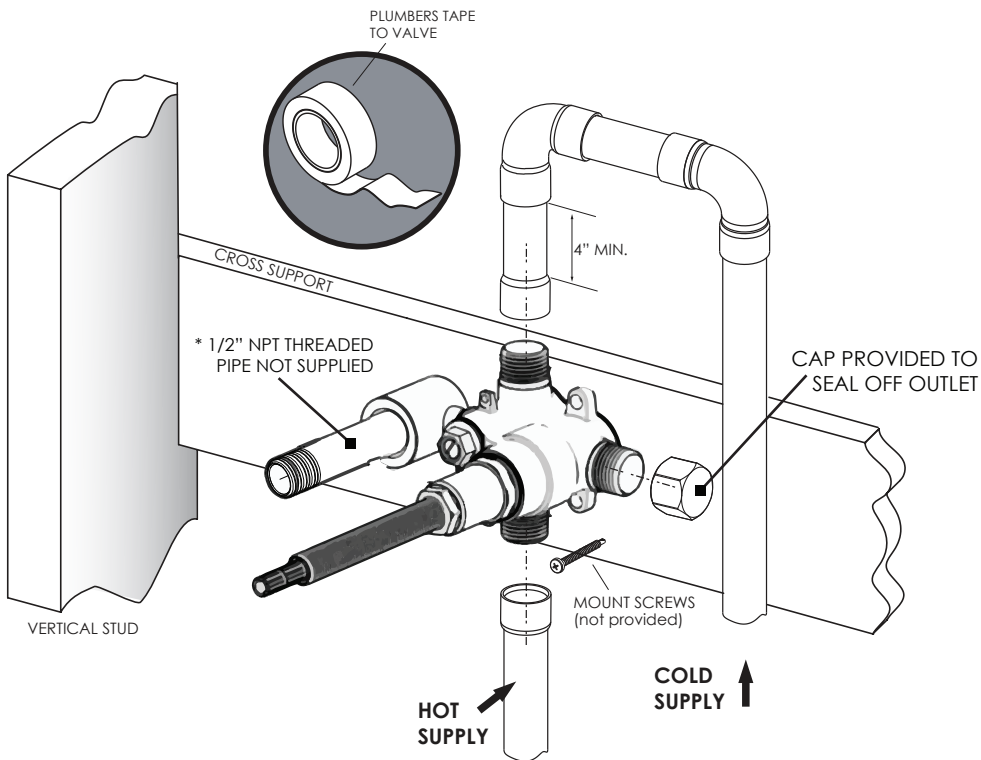
ROUGH IN VALVE TO FRAME / TRIM INSTALLATION

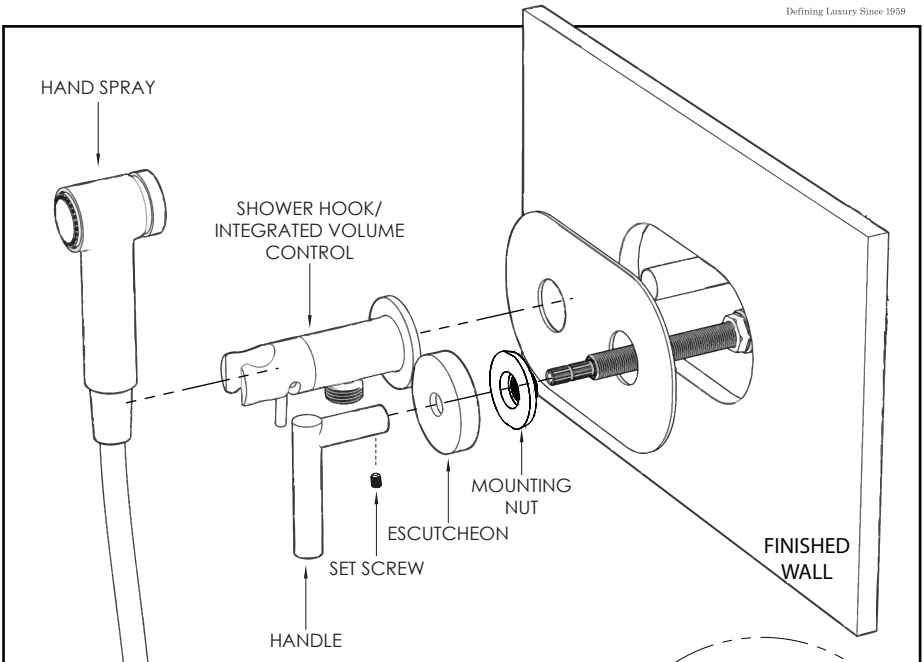
Pre-assemble fittings before attaching to cross support. Attach the "COLD" Inlet to Cold Supply & "HOT" Inlet to Hot Supply using copper supply lines.

Thoroughly flush supply lines to remove any debris prior to installation to prevent damage & malfunction of thermostatic cartridge.

IMPORTANT:

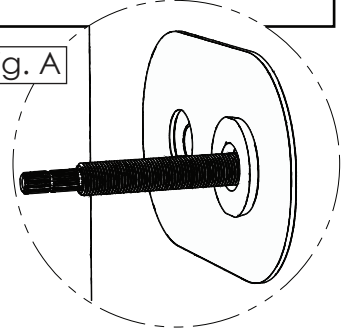
- Use **plumber's tape** or thread sealant to all threaded port joints & attach to valve. All soldering/brazing of fittings shall be performed a minimum of **4"** away from valve.





***120-65 Trim shown for reference**
 Mounting Nut may vary depending on Collection

Fig. A

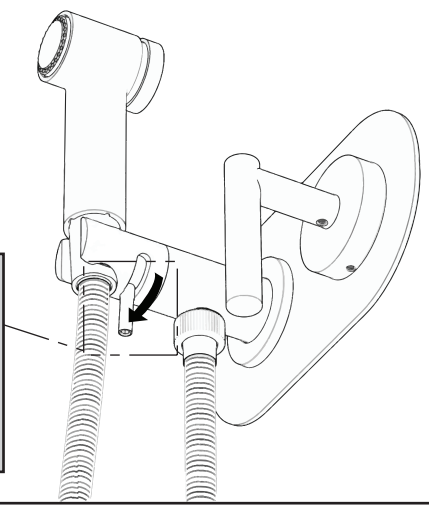


After determining the **Rough ins and the right stem/thread length**, Wall Bidet Trim ready to be installed.

First install the **Mounting nut**, pressed against the trim (**FIG.A**), by doing so this will help center the trim plate from the hole. Continue on with the installation of the **Escutcheon** then followed by the handle (**Cut stem if needed**). Secure the bottom with the included Set Screw.

Install the **Integrated Volume Control** then attach the other end of the hose kit in the connector located at the bottom of the integrated Volume Control.

IMPORTANT:
 Please use the **Wall mounted stop valve** (as shown) to pressurize the spray wand. **Shut the stop valve after each use.** The flexible hose **must not** remain pressurized when the trigger spray is not in use.



MAINTENANCE

THERMOSTATIC CARTRIDGE

Carefully remove the trim and plate, place in a safe location for the time being. Use a flat head screwdriver to shut off the water supply to the cartridge by turning the **service stop screws** clockwise until screw stops. Ensure to close both the hot and cold sides of the water supplies. Remove **extensions & cover sleeve** to gain access to the cartridge nut. Unscrew the cartridge nut using a 11/16" plumbers wrench or adjustable wrench, if possible.

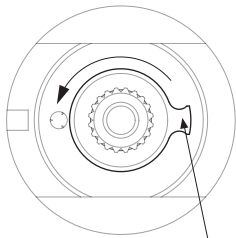
Gently pull the cartridge out of the housing body (rotating cartridge while pulling may assist in removing). Clean the cartridge by rinsing it under running water to remove any possible debris. Wipe cartridge and housing seat clean and apply a thin film of NON-PETROLEUM GREASE to o-rings.

NOTE: Do NOT use oil based lubricants as this may cause the o-rings to dry out over time and crack.

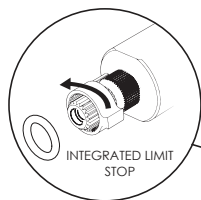
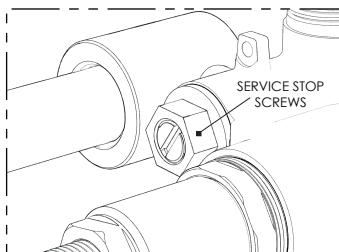
How to calibrate temperature:

To limit the amount of HOT water allowed to mix with cold water, use a 4" long flat blade screw driver to remove the stem. Pull and adjust the **integrated limit stop** and rotate the stem counterclockwise till the desired maximum temperature is found. The maximum temperature is factory set at 120°F. Once the desired temperature is set, reinstall the safety stop at the maximum position (Against Pin). Proceed installing the stem and trim.

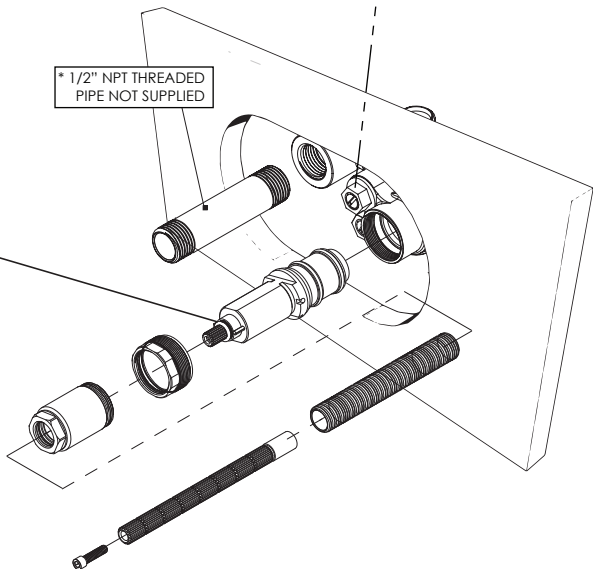
FRONT VIEW



Integrated limit stop
(Adjust counter clockwise)



* 1/2" NPT THREADED PIPE NOT SUPPLIED



MAINTENANCE

CHECK VALVES

Shut off water supply at main or upstream from valve body. Remove check valve nut with a 5/8" (16mm) socket wrench from the body.

If check valve needs replacement, forcefully remove check valve w/ needle nose pliers. Wipe check valve and housing seat clean and apply a thin film of NON-PETROLEUM GREASE to o-rings.

Install new check valves by pressing them in evenly & ensuring check valve snaps into place.

NOTE: Do NOT use oil based lubricants as this may cause o-rings to dry out over time and crack.

Tighten check valves to 10 ft-lbs (13,56 nm).

Reinstate water supply from upstream and check for leaks.

Check operation of flow. If improved, proceed to reinstall extensions, trim, & plate; otherwise, see PARTS BREAKOUT for any replacement parts

