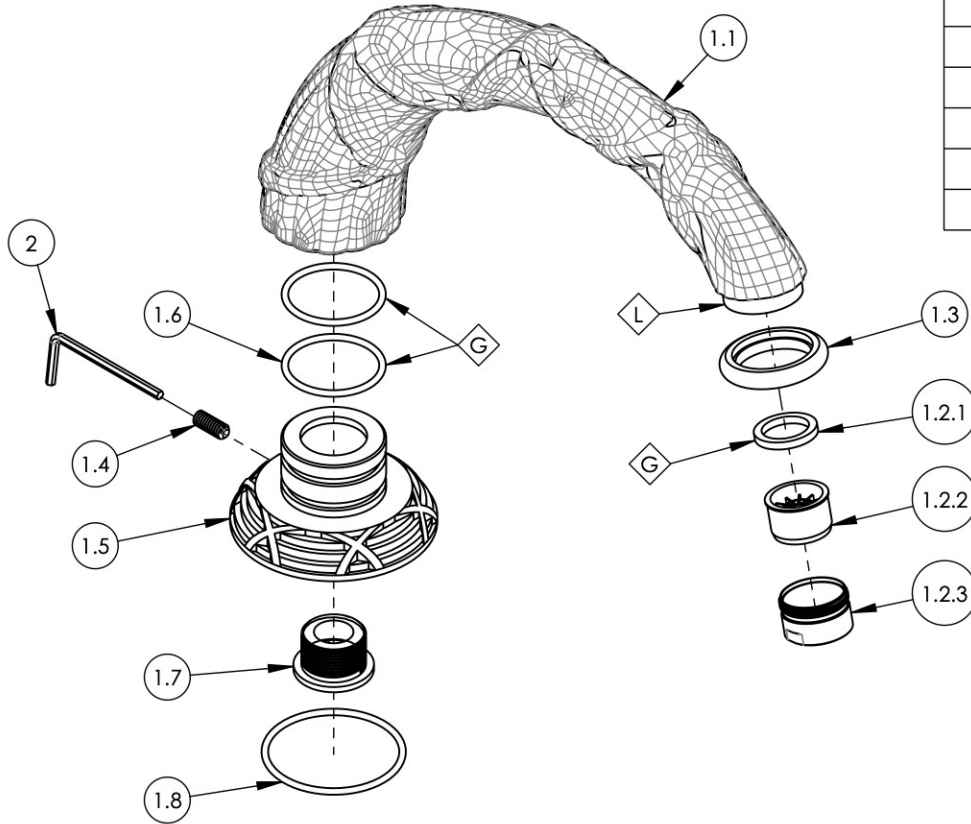


NOTE(S):

1. APPLY NSF COMPLIANT GREASE TO ANY O-RING, SEALING JOINTS, AND/OR PIVOTAL POINTS. G
2. APPLY NSF COMPLIANT LOCTITE TO THREADED AREA. L

ITEM NO.	PART NUMBER	DESCRIPTION	QTY.
1	3-276/00	DECK TUB SPOUT, P27016 (K5137) SPOUT, RIBBON & REED	1
1.1	P27016/00	K5137 DECK SPOUT	1
1.2	3-610/00	AERATOR & HOUSING, M28X1, TUB FILLER, FULL FLOW	1
1.2.1	10584	RUBBER SEAL, AERATOR GASKET 1.0"OD X .753"ID X .125"THK	1
1.2.2	10582	AERATOR, NEOSTRAHL. M28, TUB FILLER, FULL FLOW	1
1.2.3	10583/00	AERATOR HOUSING, M28 41.2007.000	1
1.3	P27014/00	AERATOR RING	1
1.4	92262	SET SCREW, CUP PT 1/4"-20 X 5/8"L	1
1.5	P27017/00	K5137 DECK SPOUT BASE	1
1.6	90127	O-RING, 1-7/16"ID X 1-5/8"OD X 3/32"THK, AS-568-127	2
1.7	P27012_5	K5141 DECK SPOUT BASE CONNECTOR	1
1.8	90137	O-RING, 2-1/16"ID X 3/32"THK., AS-568-137	1
2	92216	HEX L-KEY 1/8" HEX x 2-5/16"L	1



ZONE	REV.	DESCRIPTION	DATE	APPROVED
REVISIONS				

1261 LOGAN AVENUE  
COSTA MESA, CALIFORNIA 92626  
PHONE: 714.361.4800  
FAX: 714.617.3120

**PHYLIRICH**<sup>®</sup>  
Defining Luxury Since 1959

**PROPRIETARY AND CONFIDENTIAL**  
THE INFORMATION CONTAINED IN THIS DRAWING IS THE SOLE PROPERTY OF PHYLIRICH. ANY REPRODUCTION IN PART OR AS A WHOLE WITHOUT THE WRITTEN PERMISSION OF PHYLIRICH IS PROHIBITED.

-	-	INTERPRET GEOMETRIC DIMENSIONING & TOLERANCING IN ACCORDANCE WITH ASME Y14.5-2009 & ASME Y14.41-2003 STANDARDS, UNLESS OTHERWISE SPECIFIED. DIMENSIONS ARE IN INCHES. TOLERANCES ARE:		
NEXT ASSY	USED ON	<b>FRACTIONS</b> ±1/16"	<b>DECIMALS</b> X.X: ±.1 X.XX: ±.01 X.XXX: ±.005	<b>ANGULAR</b> ±2°
APPLICATION		MATERIAL	NAME	DATE
FINISH		DRAWN	AMM	7/7/2020
<b>DO NOT SCALE DRAWING</b>		CHECKED	AMM	

DECK TUB SPOUT, RIBBON & REED

SIZE	ASM/PRT NO.	REV
<b>A</b>	K5137/00	-
SCALE: 1:3	WEIGHT: lbs.	SHEET 1 OF 2