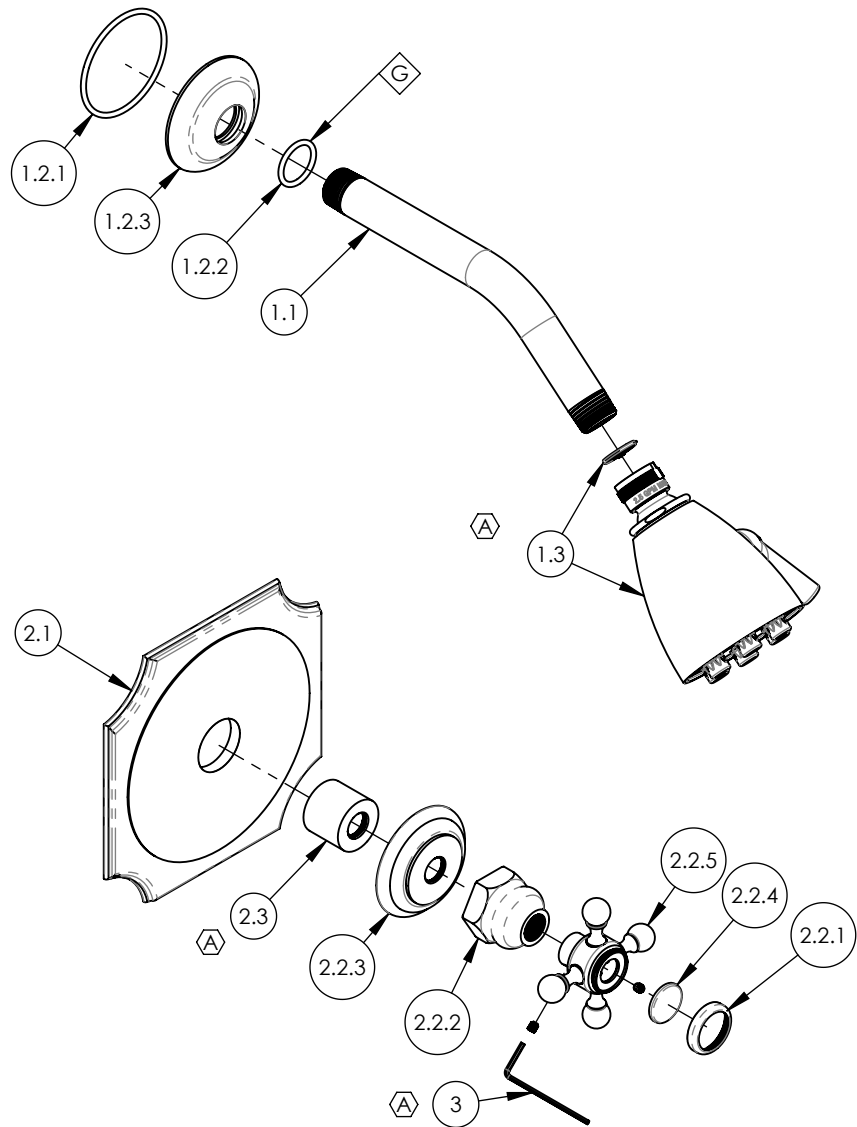


NOTE(S):  
 1. APPLY NSF COMPLIANT GREASE TO ANY O-RING, SEALING JOINTS, AND/OR PIVOTAL POINTS.



ITEM NO.	PART NUMBER	DESCRIPTION	QTY.
1	4-140/00	SHOWER HEAD 8" ARM, 6 JET PLUNGER, HEX TRADITIONAL	1
1.1	P16008/00	SHOWER ARM (8 INCH)	1
1.2	810/00	SHOWER FLANGE, TRADITIONAL	1
1.2.1	90138	O-RING, 2 1/8"ID X 3/32"THK., AS-568-138	1
1.2.2	90117	O-RING, 7/8"ID X 33/32"THK., AS-568-117	1
1.2.3	P16011/00	K803 SHOWER FLANGE	1
1.3	3-018/00	SHOWERHEAD SIX JET	1
2	4-157/00	1/2" MINI THERMOSTATIC SHOWER TRIM	1
2.1	10515/00	TRIM PLATE, FRENCH TRAD. PB/THERMO	1
2.2	3-142B/00	CROSS HANDLE, WALL/SHOWER, 500 SERIES	1
2.2.1	10538/00	CAP RING FOR 500 SERIES BUTTON	1
2.2.2	10621/00	BASE HUB NUT	1
2.2.3	10618/00	ESCUTCHEON, TRADITIONAL 500	1
2.2.4	11097	PLASTIC BUTTON, BLANK	1
2.2.5	2-180/00	SUB ASSY. CROSS HANDLE HUB	1
2.3	11087	SLEEVE FOR PB-THERM PLATE	1
3	P39001	HEX KEY 5/64, FOR 8-32 SET SCREW	1

ZONE	REV.	DESCRIPTION	DATE	APPROVED
A		UPDATE TEMPLATE, SUBASSYS & HEX KEY	4/21/2020	AMM

1261 LOGAN AVENUE  
 COSTA MESA, CALIFORNIA 92626  
 PHONE: 714.361.4800  
 FAX: 714.617.3120

**PHYLIRICH**  
 Defining Luxury Since 1959

**PROPRIETARY AND CONFIDENTIAL**  
 THE INFORMATION CONTAINED IN THIS DRAWING IS THE SOLE PROPERTY OF PHYLIRICH. ANY REPRODUCTION IN PART OR AS A WHOLE WITHOUT THE WRITTEN PERMISSION OF PHYLIRICH IS PROHIBITED.

-	-	INTERPRET GEOMETRIC DIMENSIONING & TOLERANCING IN ACCORDANCE WITH ASME Y14.5-2009 & ASME Y14.41-2003 STANDARDS, UNLESS OTHERWISE SPECIFIED. DIMENSIONS ARE IN INCHES. TOLERANCES ARE:		
NEXT ASSY	USED ON	<b>FRACTIONS</b> ±1/16"	<b>DECIMALS</b> X.X: ±.1 X.XX: ±.01 X.XXX: ±.005	<b>ANGULAR</b> ±2°
APPLICATION		MATERIAL	NAME	DATE
FINISH		DRAWN	LLO	10/28/2015
<b>DO NOT SCALE DRAWING</b>		CHECKED	GRE	

<b>PRESSURE BALANCE SHOWER SET, HENRI SERIES</b>			
SIZE	ASM/PRT NO.	REV	
A	161-21/00	A	
SCALE: 1:3.75	WEIGHT: lbs.	SHEET 1 OF 2	

5

4

3

2

1

E

E

D

D

C

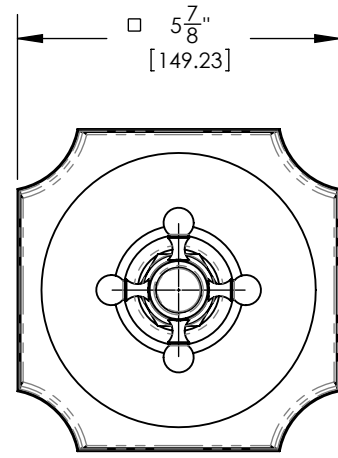
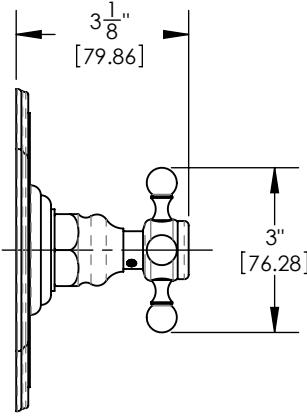
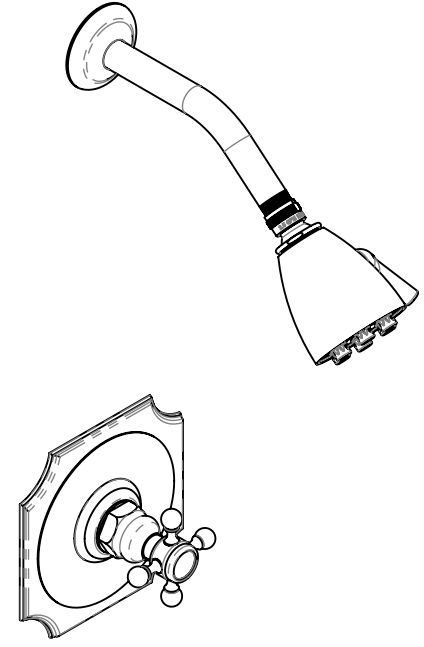
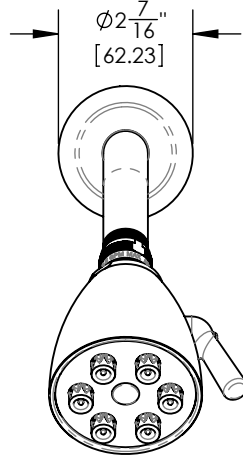
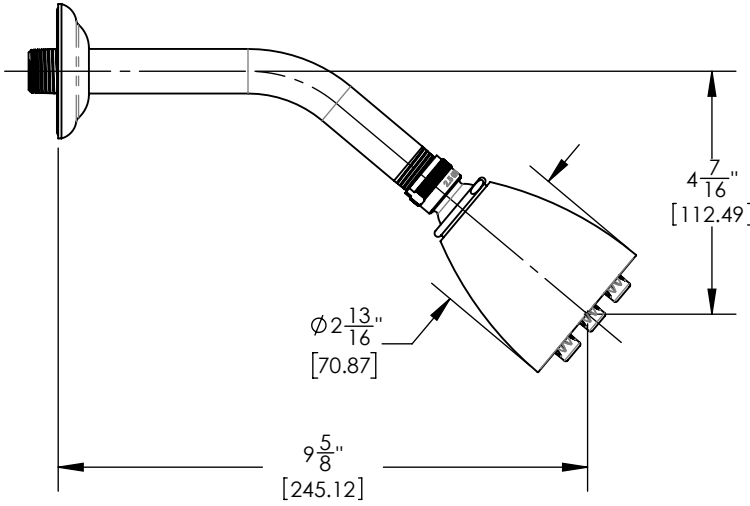
C

B

B

A

A



1261 LOGAN AVENUE  
COSTA MESA, CALIFORNIA 92626  
PHONE: 714.361.4800  
FAX: 714.617.3120

**PHYLIRICH**<sup>®</sup>  
Defining Luxury Since 1959

**PROPRIETARY AND CONFIDENTIAL**  
THE INFORMATION CONTAINED IN THIS DRAWING IS THE SOLE PROPERTY OF PHYLIRICH. ANY REPRODUCTION IN PART OR AS A WHOLE WITHOUT THE WRITTEN PERMISSION OF PHYLIRICH IS PROHIBITED.  
**DO NOT SCALE DRAWING**

**PRESSURE BALANCE SHOWER SET, HENRI SERIES**

<b>SIZE</b> <b>A</b>	ASM/PRT NO. 161-21/00	REV A
SCALE: 1:3.5	WEIGHT: lbs.	SHEET 2 OF 2

5

4

3

2

1