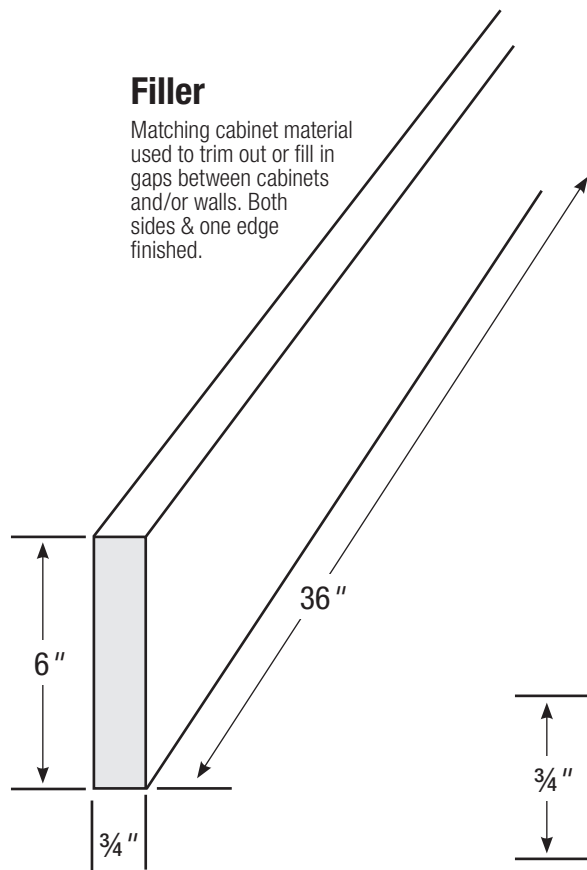


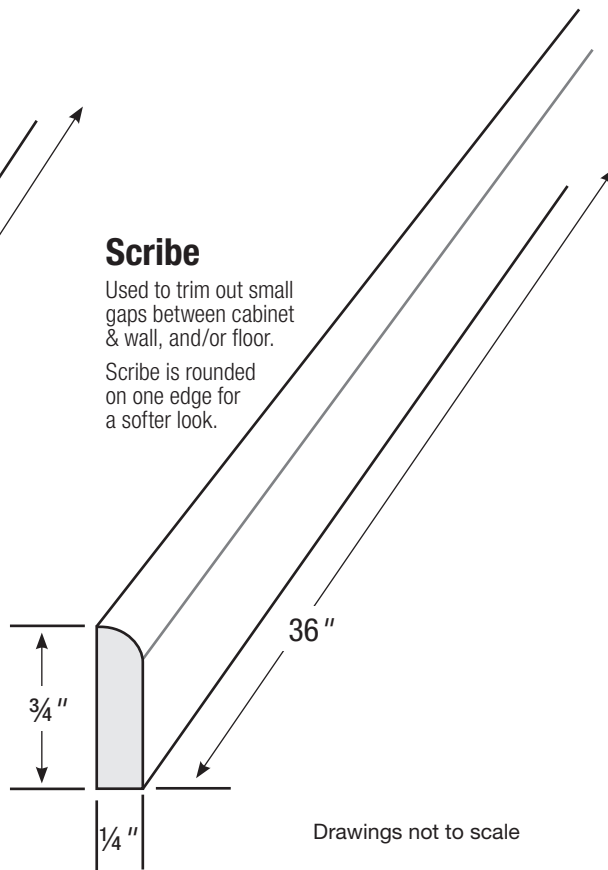
### Filler

Matching cabinet material used to trim out or fill in gaps between cabinets and/or walls. Both sides & one edge finished.



### Scribe

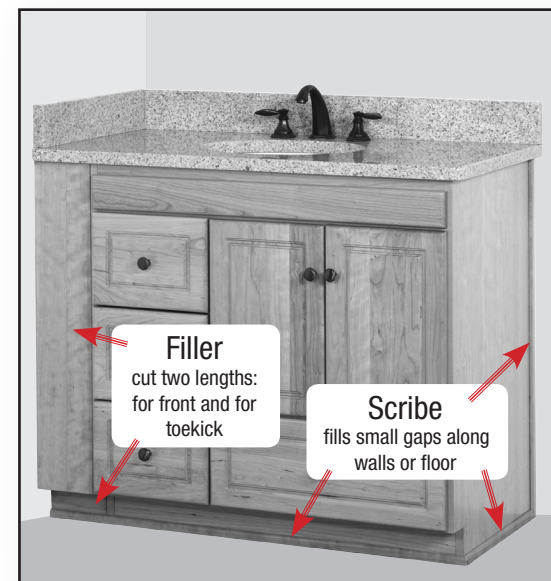
Used to trim out small gaps between cabinet & wall, and/or floor. Scribe is rounded on one edge for a softer look.



Drawings not to scale

### 36" Lengths Filler & Scribe

Filler:	Scribe:
3/4" thick	1/4" thick
6" wide	3/4" wide
36" long	36" long



Cut Filler or Scribe to length and secure in place with adhesive or fasteners of your choice.

Fillers are commonly ripped (cut) to the width desired by installer. Note that the space to fill may be wider or narrower at the top than at the bottom and requires a cut to fit.