

# TRONE

---

## **FREESTANDING BATHTUB**

### Installation Guide



**BELLA67**

# Installation Instructions

## Model: BELLA67

*Thank you for choosing Trone! We are the standard for superior quality and affordable bathroom fixtures. To ensure that your installation is smooth, please read the instructions carefully before you start.*

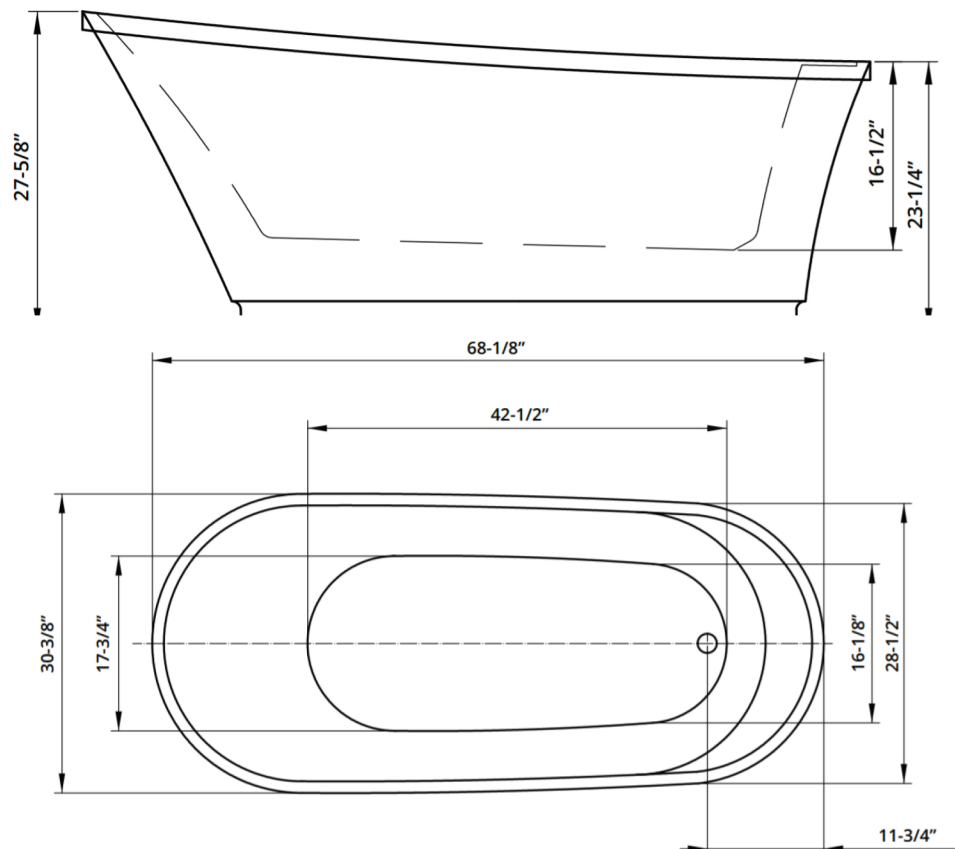
### **BEFORE YOU BEGIN**

- Your tub is shipped to you after careful and thorough inspection.
- For maximum performance, please follow the instructions and cautions in detail.
- Local building codes vary by location. Observe local plumbing and building codes.

### **TOOLS & MATERIALS NEEDED**

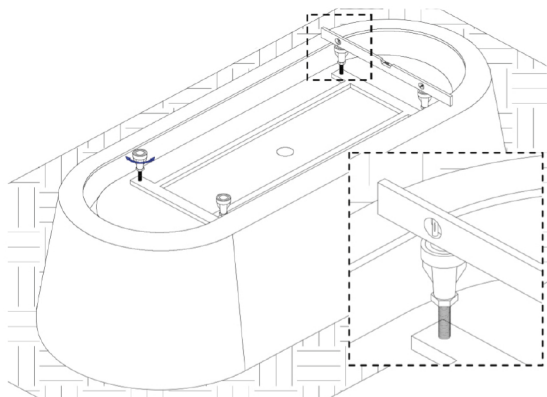
- |                     |                    |
|---------------------|--------------------|
| • Level             | • Caulking Gun     |
| • Pipe Wrench       | • Plumber's Putty  |
| • Slip Joint Pliers | • Silicone Sealant |
| • Screw Driver      | • Drop Cloth       |

## ROUGH-IN INFORMATION



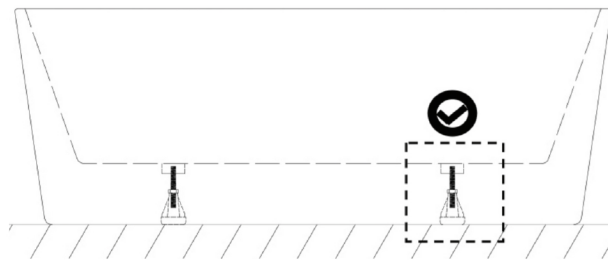
1

Place the tub on a mat to prevent damage to the surface. Make sure that the legs are in line with the base of the tub.



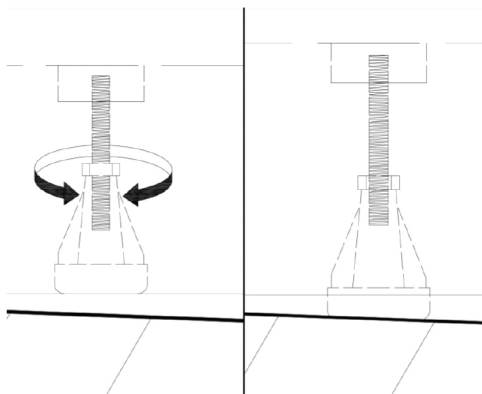
2

Make sure that the tub sits flat. Adjust the legs as needed.



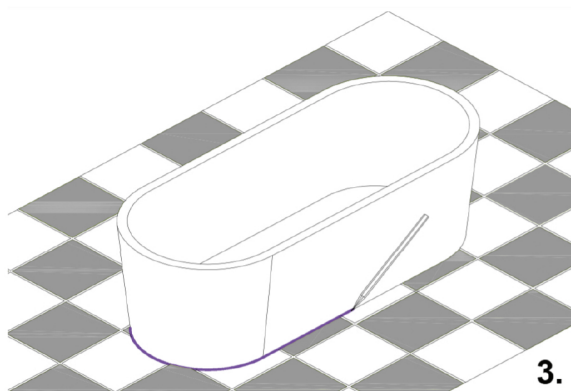
3

Position the waste connection correctly.



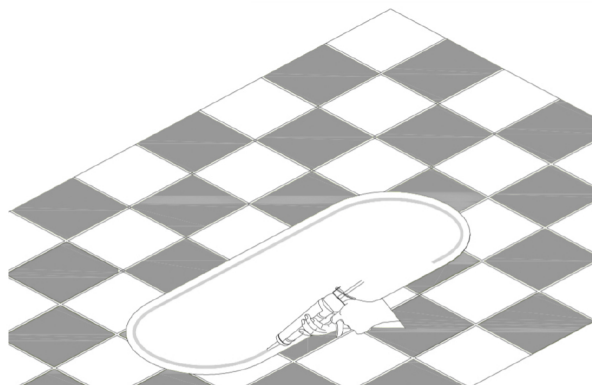
4

Trace the tub's outline on the floor with a pencil.



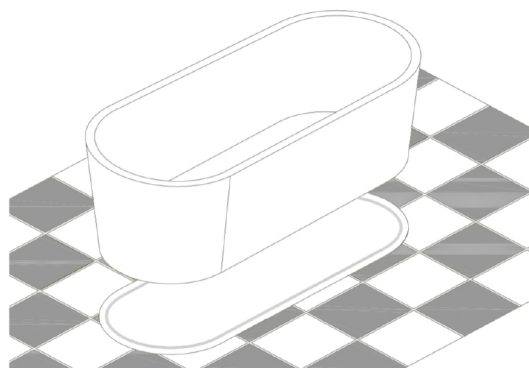
5

Apply a thick bead of silicone within the bath outline.

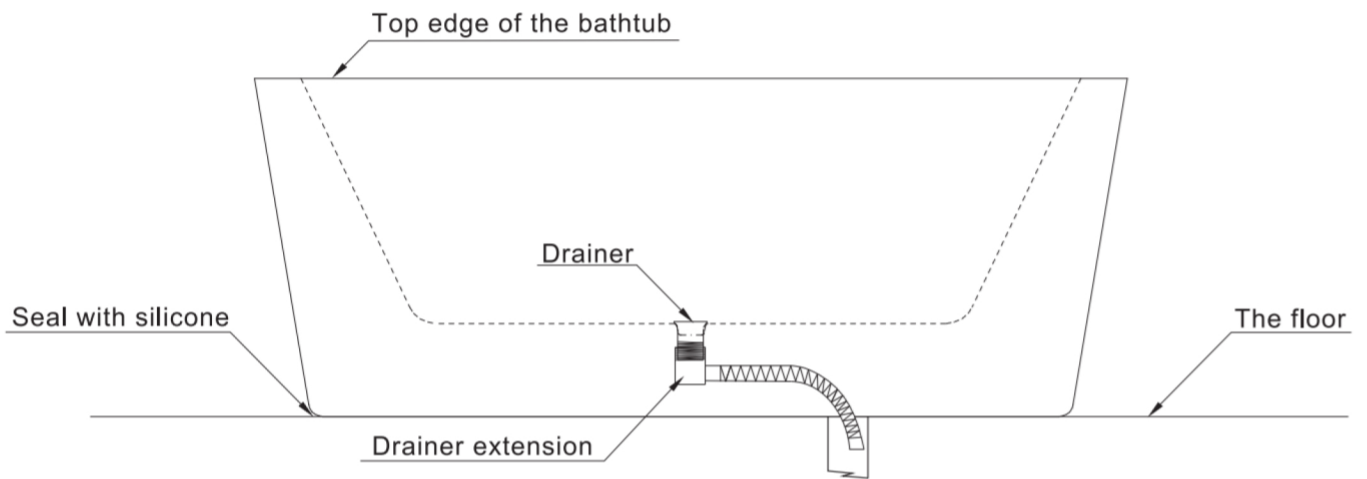


6

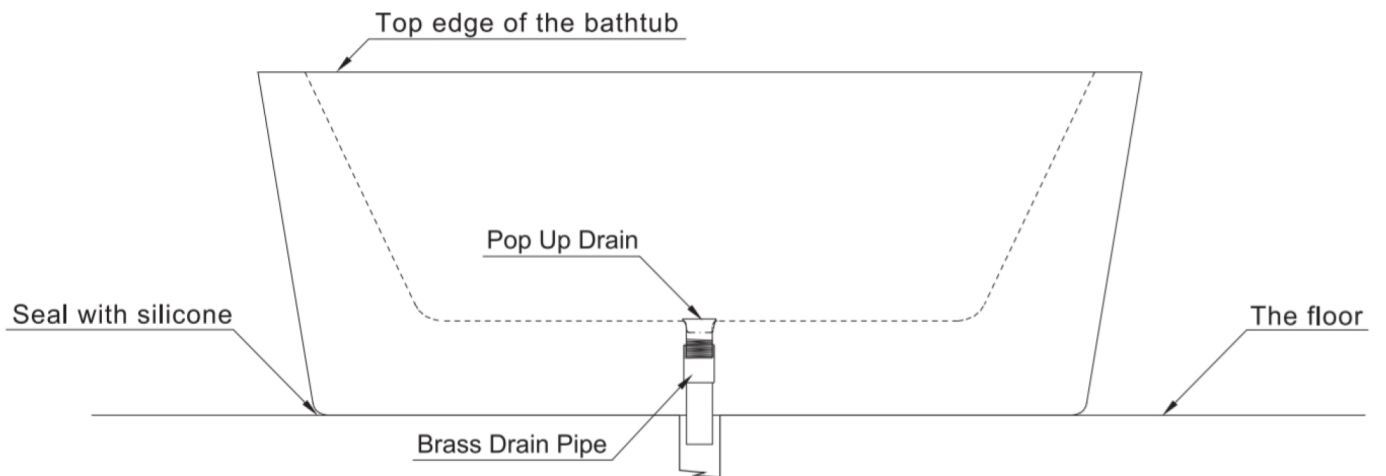
Set the tub in its final position. Let the silicone dry for 24 hours.



#### Option 1



#### Option 2



# Post- Installation Clean-Up

Remove all construction debris from the tub. Remove tile grout with a wooden popsicle stick or tongue depressor. Never use wire brushes or any metal implement on the tub surface.

Using warm water and liquid dishwashing detergent can generally complete post-intallation cleanup. Use Painter's naphtha to remove excess adhesives and/or wet oil-base paint.

## **AFTERCARE and CLEANING**

- Do not fill the tub with extremely hot water as it may damage the tub's surface.
- Always remove bath mat after use and hang to dry. Do not leave the bath mat to dry in the tub to prevent surface damage.
- Use mild liquid household detergent cleaner after use. Do not use abrasive cleaners.

## **AVOID USING HARSH CHEMICALS ON ACRYLIC SURFACES.**

- Never remove stains, cigarette tar deposits, or other blemishes with wire brushes, knives or sharp objects.
- To prevent dulling of the surface, avoid abrasive cleaners or powders.
- Restore dull areas by rubbing with a white polishing compound and applying a "liquid wax".
- Do not wax areas where you walk or stand.
- Do not use nail polish remover, acetone, dry cleaning fluid, paint remover, or other solvents on the surface.
- After caustic drain cleaners have been applied, clean the surrounding surface immediately.
- Prevent damage to the surface by avoiding contact with burning cigarettes.