



FREESTANDING BATHTUB

Installation Guide



ROSELLE67

Installation Instructions

Model: ROSHELLE67

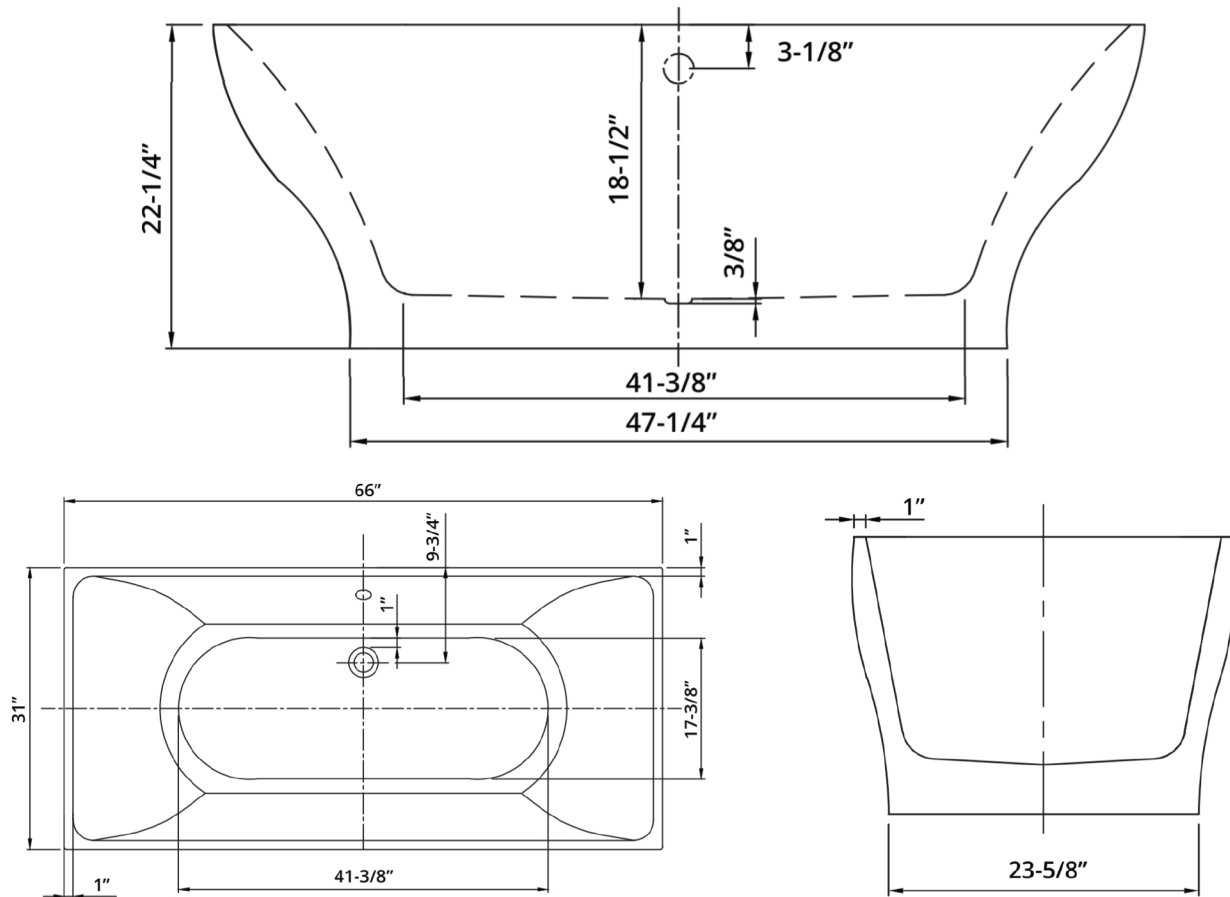
BEFORE YOU BEGIN

- Your tub is shipped to you after careful and thorough inspection.
- For maximum performance, please follow the instructions and cautions in detail.
- Local building codes vary by location. Observe local plumbing and building codes.

TOOLS & MATERIALS NEEDED

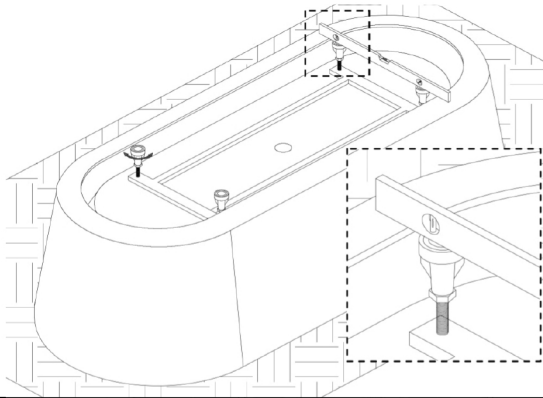
- Level
- Pipe Wrench
- Slip Joint Pliers
- Screw Driver
- Caulking Gun
- Plumber's Putty
- Silicone Sealant
- Drop Cloth

ROUGH-IN INFORMATION



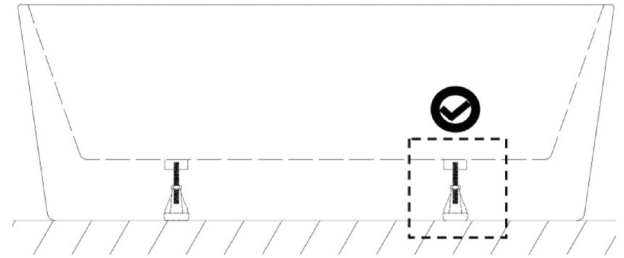
1

Place the tub on a mat to prevent damage to the surface. Make sure that the legs are in line with the base of the tub.



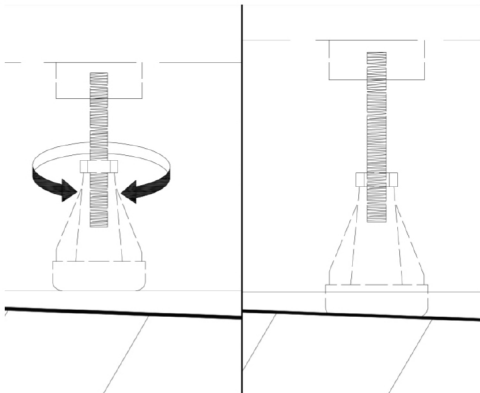
2

Make sure that the tub sits flat. Adjust the legs as needed.



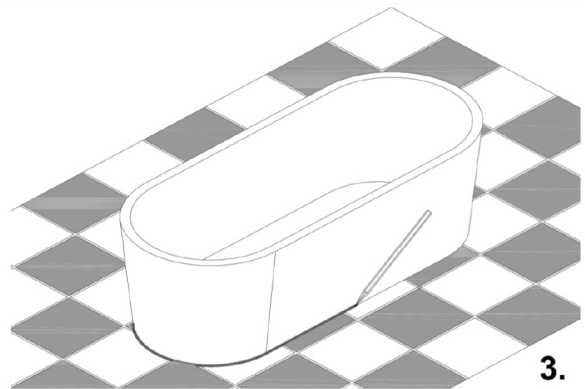
3

Position the waste connection correctly.



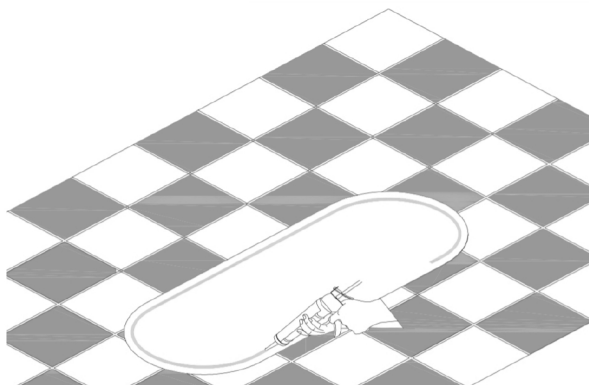
4

Trace the tub's outline on the floor with a pencil.



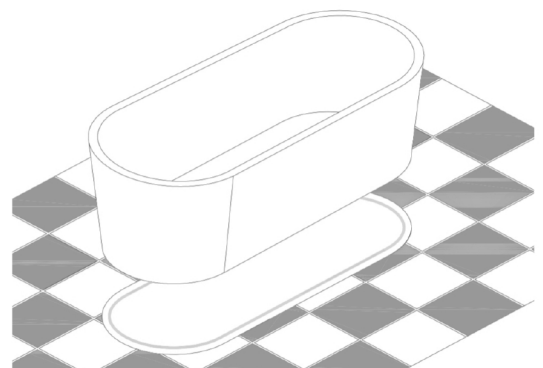
5

Apply a thick bead of silicone within the bath outline.

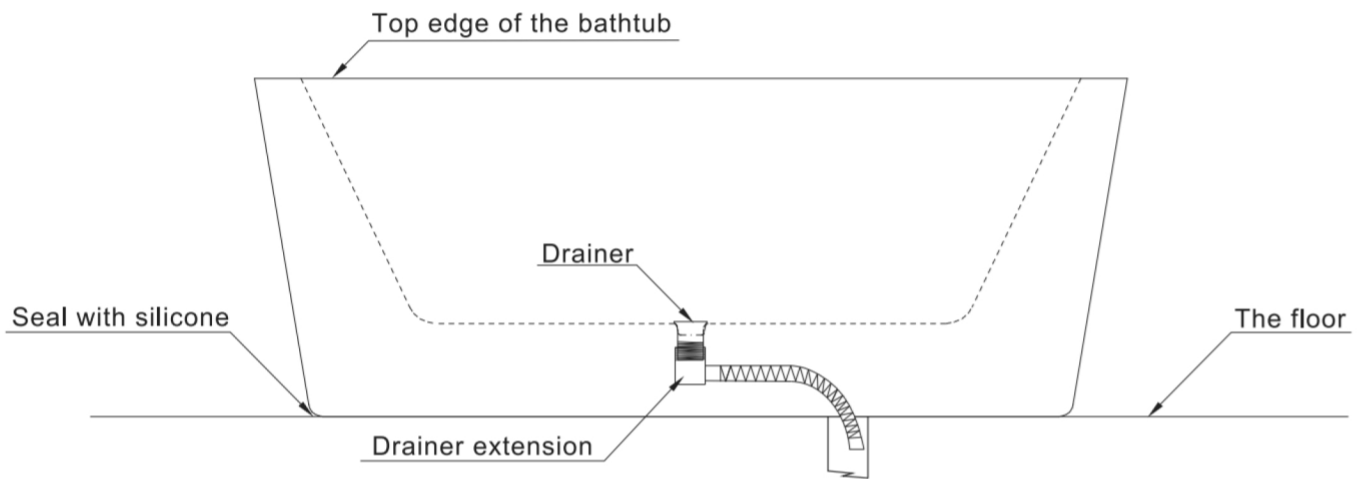


6

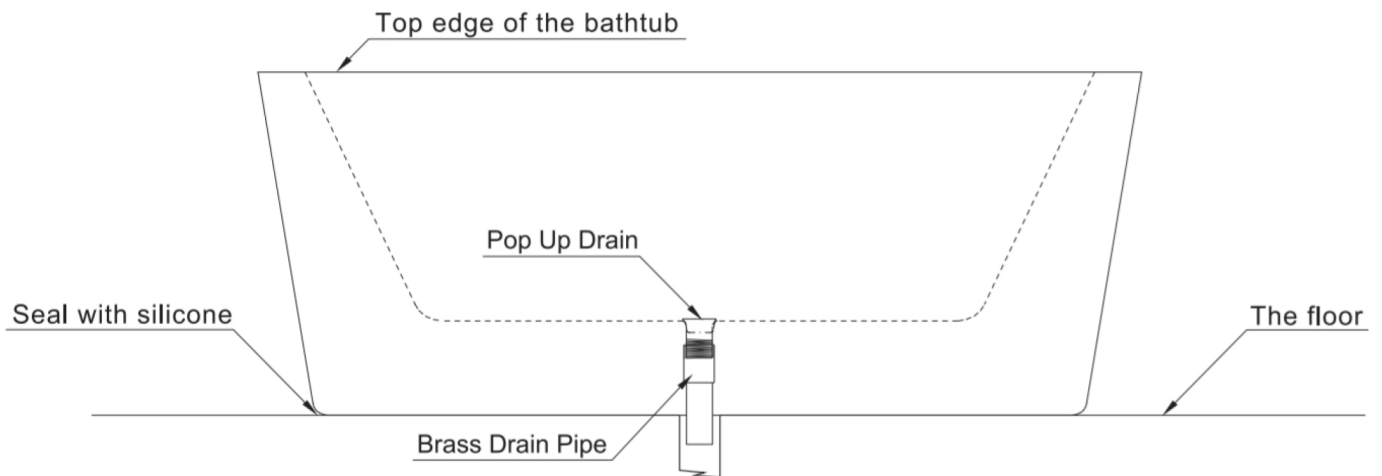
Set the tub in its final position. Let the silicone dry for 24 hours.



Option 1



Option 2



Post- Installation Clean-Up

Remove all construction debris from the tub. Remove tile grout with a wooden popsicle stick or tongue depressor. Never use wire brushes or any metal implement on the tub surface.

Using warm water and liquid dishwashing detergent can generally complete post-intallation cleanup. Use Painter's naphtha to remove excess adhesives and/or wet oil-base paint.

AFTERCARE and CLEANING

- Do not fill the tub with extremely hot water as it may damage the tub's surface.
- Always remove bath mat after use and hang to dry. Do not leave the bath mat to dry in the tub to prevent surface damage.
- Use mild liquid household detergent cleaner after use. Do not use abrasive cleaners.

AVOID USING HARSH CHEMICALS ON ACRYLIC SURFACES.

- Never remove stains, cigarette tar deposits, or other blemishes with wire brushes, knives or sharp objects.
- To prevent dulling of the surface, avoid abrasive cleaners or powders.
- Restore dull areas by rubbing with a white polishing compound and applying a "liquid wax".
- Do not wax areas where you walk or stand.
- Do not use nail polish remover, acetone, dry cleaning fluid, paint remover, or other solvents on the surface.
- After caustic drain cleaners have been applied, clean the surrounding surface immediately.
- Prevent damage to the surface by avoiding contact with burning cigarettes.