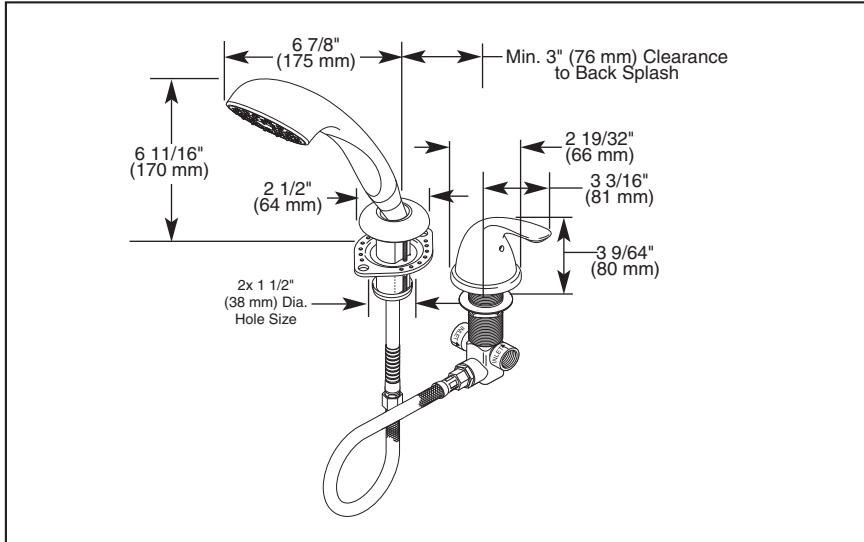


Submitted Model No.: \_\_\_\_\_

Specific Features: \_\_\_\_\_



▲ Designate proper finish suffix



## ROMAN TUB HAND HELD SHOWER

- Roman Tub Deck Mount Hand Held Shower
- Ledge or Wall Mount Transfer Valve

### STANDARD SPECIFICATIONS:

- Solid fabricated brass body.
- Ledge or wall mount transfer valve for maximum 1 3/4" (44 mm) deck thickness.
- 69" (1753 mm) flexible hose.
- Control mechanism is a rotating cylinder type with stainless steel plate and 180° rotation, with replaceable non-metallic seats operating in stainless steel lined sockets.
- All operating parts shall be replaceable from the top.
- 1/2"-14 NPSM threaded female inlets and outlets.
- Do not install hot and cold inlet water supplies directly to transfer valve. Must be installed to another valve in order to control volume and temperature.
- Handshower includes double check valves for backflow prevention.

### WARRANTY

- Lifetime limited warranty on parts (other than electronic parts and batteries) and finishes: or, for commercial users, for 5 years from date of purchase.
- 5 year limited warranty on electronic parts (other than batteries); or, for commercial users, for 1 year from the date of purchase. No warranty is provided on batteries.

### COMPLIES WITH:

- ASME A112.18.1 / CSA B125.1

Indicates compliance to ICC/ANSI A117.1

