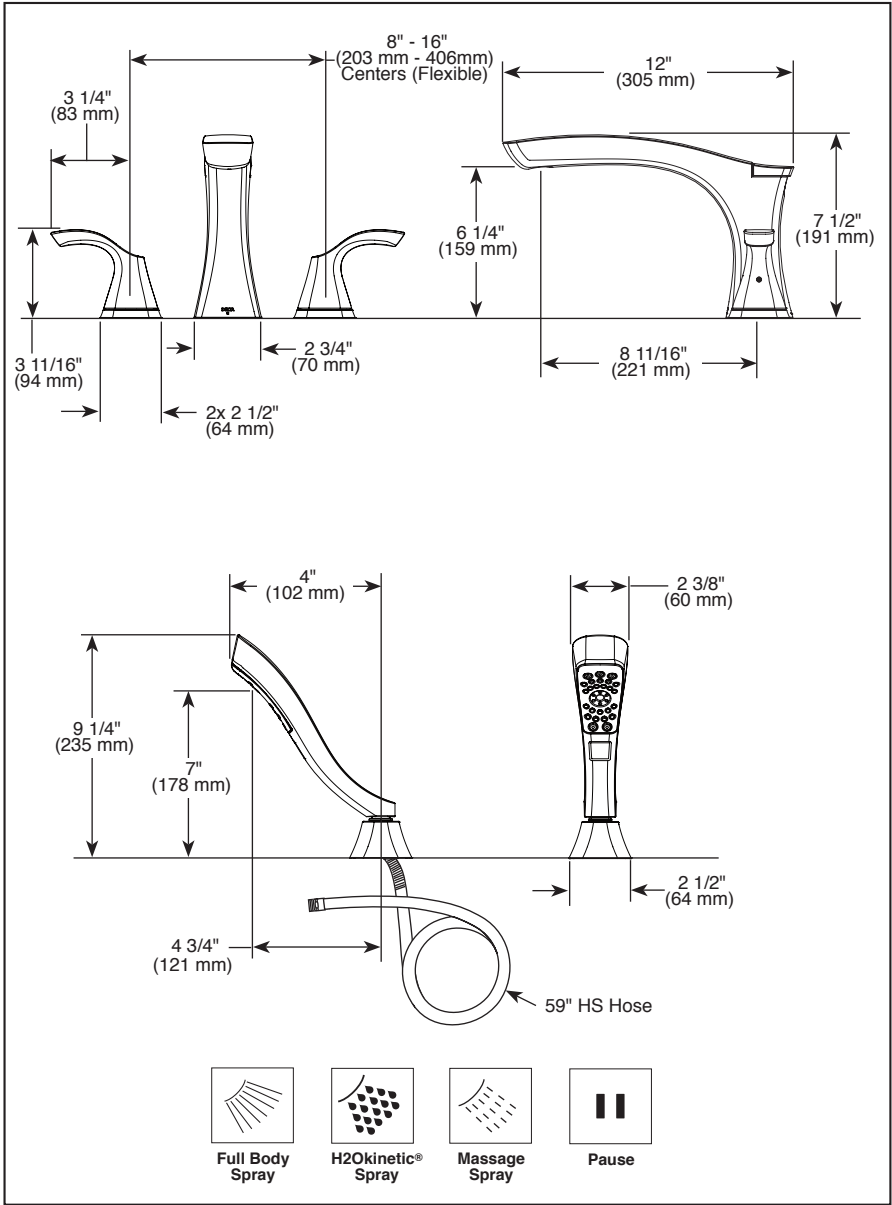


Submitted Model No.: \_\_\_\_\_  
 Specific Features: \_\_\_\_\_



▲ Designate Proper Finish Suffix



# ROMAN TUB/WHIRLPOOL FAUCET TRIM

- Tesla™ Bath Collection
- Three Hole Installation (T2752 Series)
- Four Hole Installation (T4752 Series)
- Rough-In Kit Must Also be Ordered to Complete Installation (R4707 for four hole and R2707 for three hole)

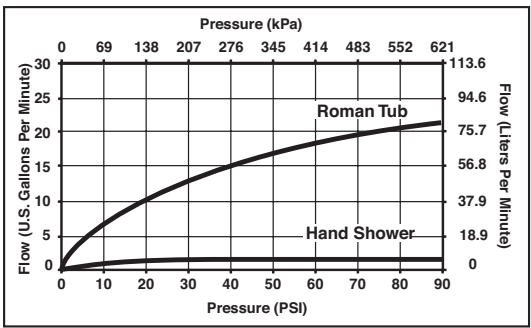
- STANDARD SPECIFICATIONS:**
- Trim Only for two handle Roman Tub faucet for concealed mounting
  - Temperature and volume controlled with handles.
  - Rough-In kit must also be ordered to complete installation (R4707 for four hole and R2707 for three hole). There are separate specification sheets on each rough-in kit if more details are required.
  - Handshower includes certified double check valves for backflow prevention (T4752)
  - H<sub>2</sub>Okinetic® 4-setting handshower (T4752)
  - Handshower maximum flow rate 2.00 gpm @ 80 psi, 7.6 L/min @ 550 kPa
  - Red/blue indicators

- WARRANTY**
- Lifetime limited warranty on parts (other than electronic parts and batteries) and finishes: or, for commercial users, for 5 years from date of purchase.
  - 5 year limited warranty on electronic parts (other than batteries); or, for commercial users, for 1 year from the date of purchase. No warranty is provided on batteries.



**COMPLETE VALVE COMPLIES WITH:**

- ASME A112.18.1 / CSA B125.1
- Indicates compliance to ICC/ANSI A117.1 - Valve control only
- EPA WaterSense® - Applies to handshower only - 59552\*



Delta reserves the right (1) to make changes in specifications and materials, and (2) to change or discontinue models, both without notice or obligation. Dimensions are for reference only. See current full-line price book or www.deltafaucet.com for finish options and product availability.  
 DSP-B-T2752 Rev. C



55 E. 111th Street, Indianapolis, Indiana 46280  
 350 South Edgeware Road, St. Thomas, ON N5P 4L1  
 © 2016 Masco Corporation of Indiana